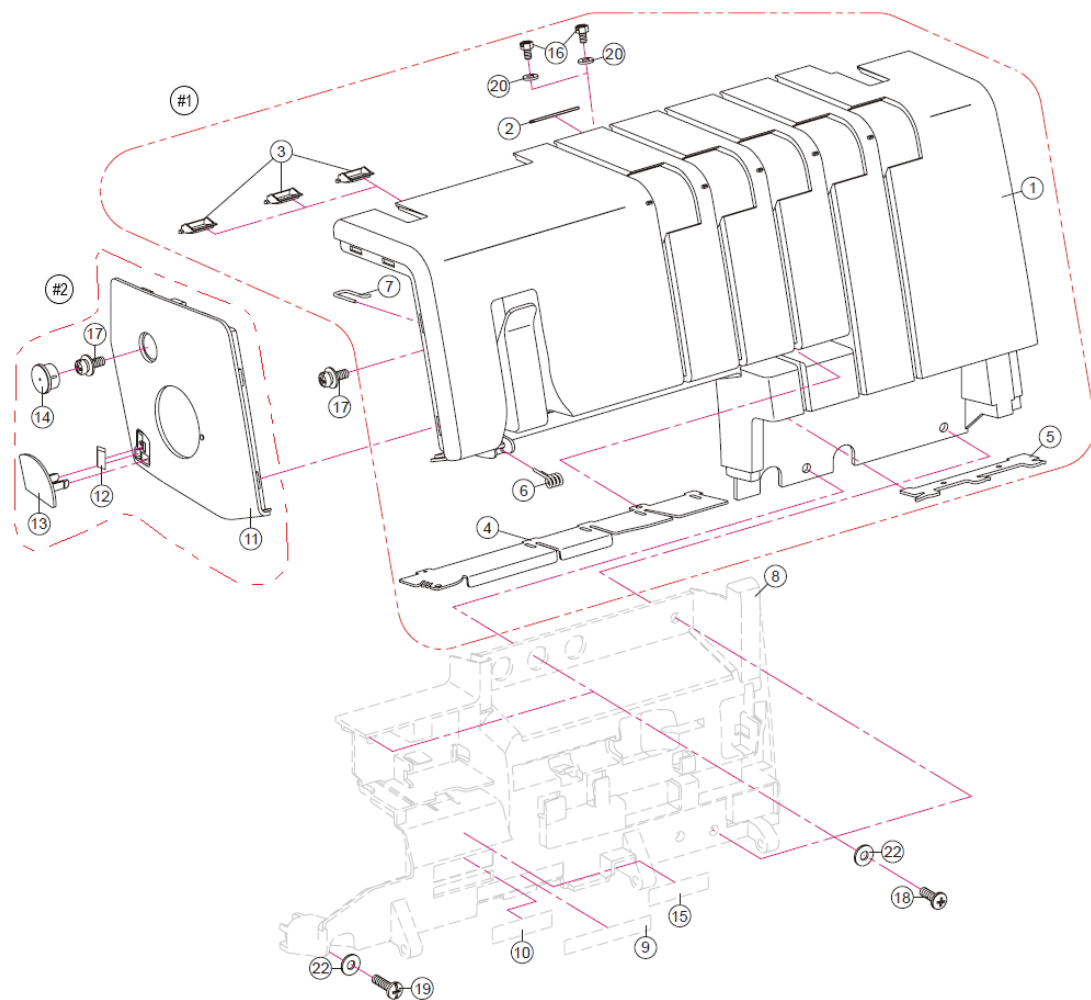


Zur Zeit ist
leider kein Bild
vorhanden.

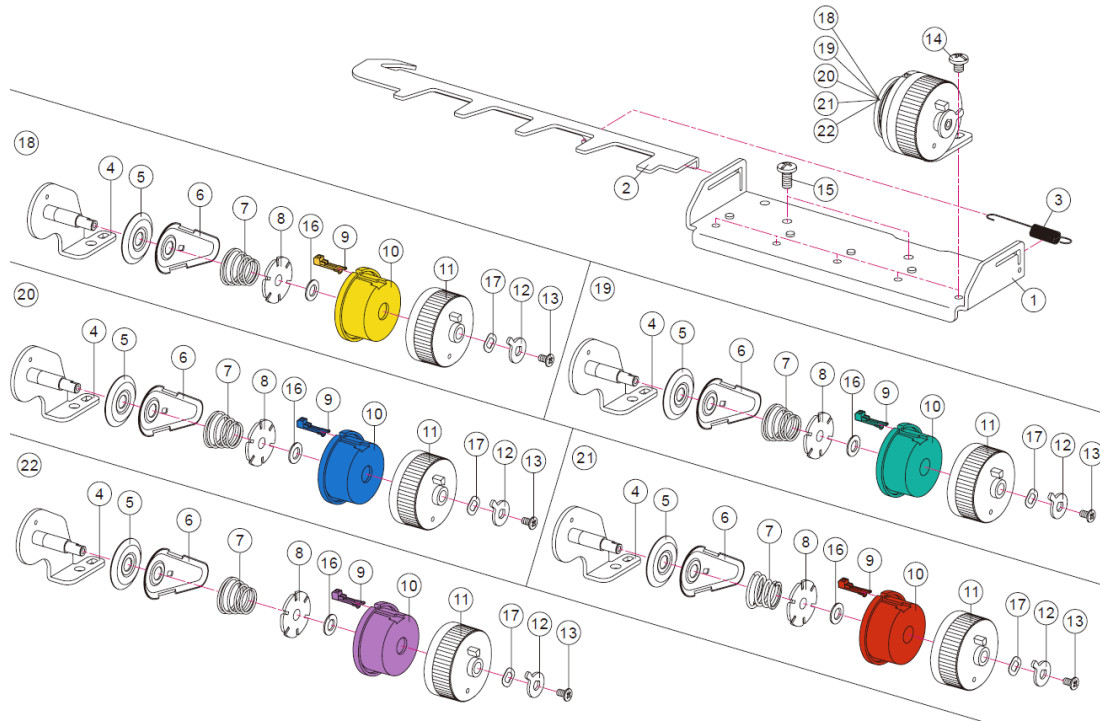
Spare Parts

b68

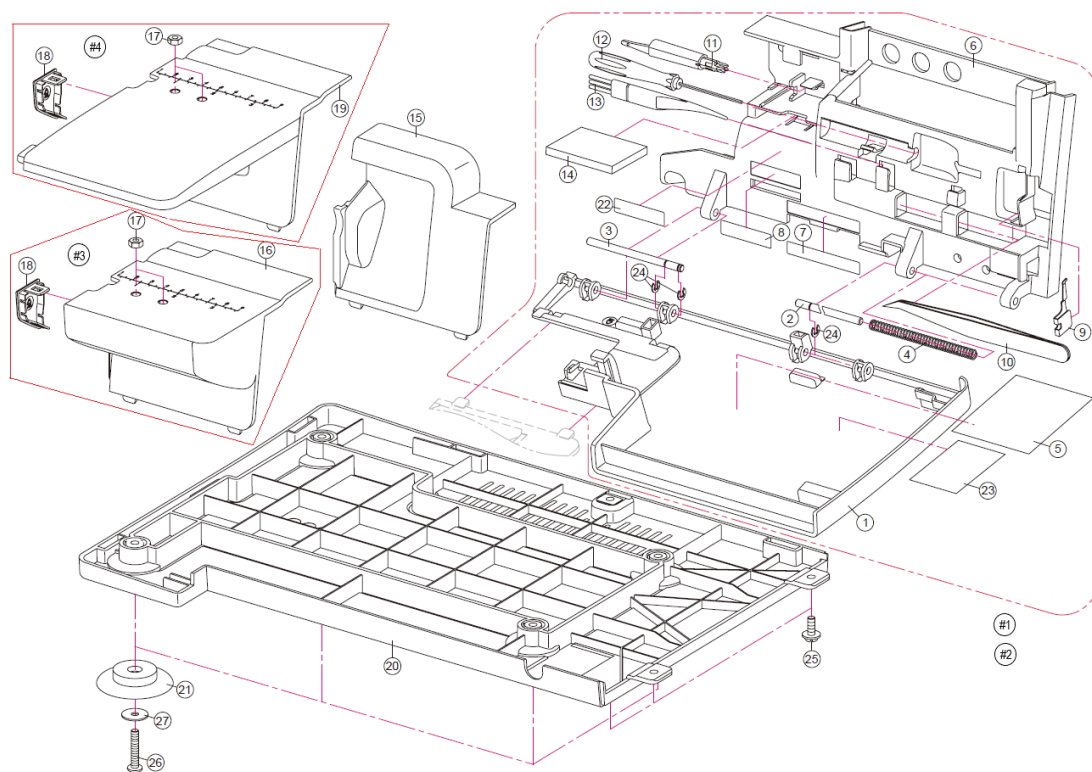
Front panel / Bulb cover



Pos	Item number	Description	Supplier Part no.
##1	5020406036	Front cover set	
##2	5020405591	Lamp cover set	L1237P001A
1	5020406034	Front cover	
2	5020405428	Thread guide (C)	J1149
3	5020405580	Shielding plate	L1022
4	5020405581	Thread guide (B)	L1277
5	5020406035	Thread guide (d)	
6	5020405583	Tension guide (C)	L1213
7	5020405584	Thread take-up cover guide	L2003
8	5020405610	Threading cover	L1249-0505-01
9	5020406039	Sticker	
10	5020405611	Sticker	L1313-01
11	5020405585	Lamp cover	L1237P001
12	5020405586	Knife	G2073
13	5020405587	Knife holder	L1252-8005
14	5020405422	Screw cap	H1030-8005
15	5020405615	Sticker	L1323-01
16	5020405588	Set screw	ZM03L06R42
17	5020405682	Set screw	ZM04L10X03
18	5020405589	Set screw	ZM04L12A02
19	5020405590	Set screw	ZM04L15A02
20	5020405486	Washer	ZW03.2F07J03
21	5020405490	Washer	ZW04.3F10J02

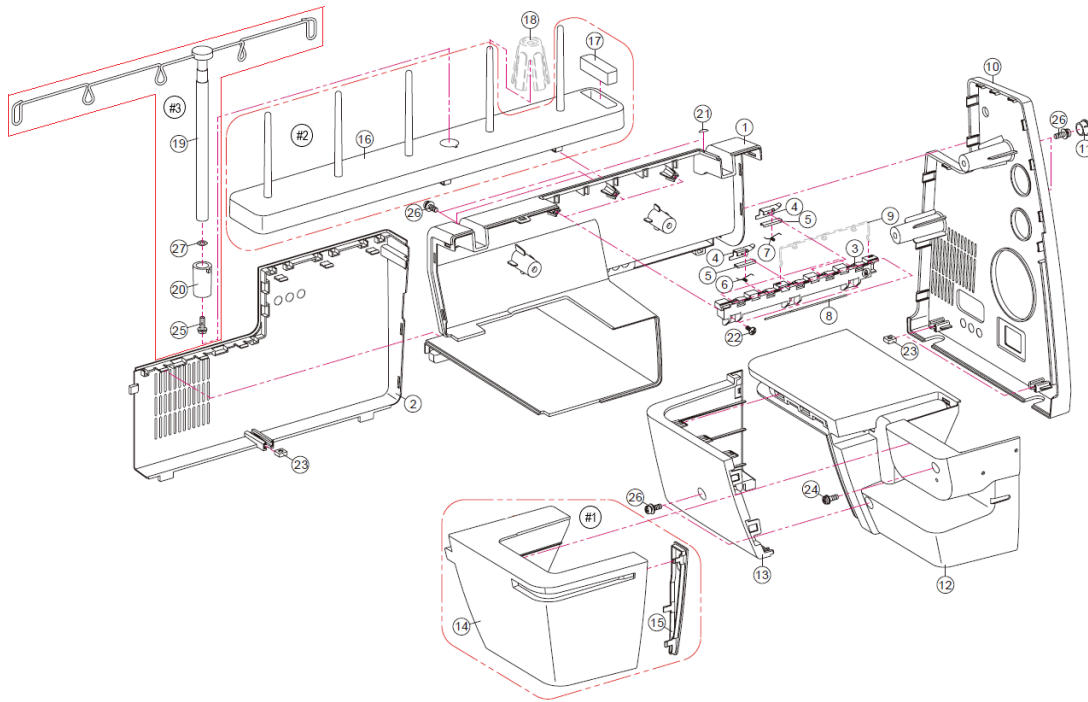


Pos	Item number	Description	Supplier Part no.
1	5020405592	Tension dial holder	L1187
2	5020405593	Release plate	L1179
3	5020405400	Restoring spring	G8045
4	5020405594	Tension dial holder set	L11862
5	5020405144	Tension disc	A10701004
6	5020405353	Tension disc	G4013
7	5020405188	Tension spring (Left needle)	B10481006
7	5020405318	Tension spring (Right needle/Upper looper)	G1332
7	5020405595	Tension spring (Lower looper)	L2007
7	5020405941	Tension spring (Cover stitch)	
8	5020405184	Tension regulate nut	B10131000
9	5020405182	Tension regulate pin (cover stitch)(Purpel)	B10062573-01
9	5020405596	Tension regulate pin (left needle)(Yellow)	B10061225-01 (B1004PC
9	5020405597	Tension regulate pin (right needle)(Green)	B10063275-01 (B1004PC
9	5020405598	Tension regulate pin (upper Looper)(Blue)	B10061285-01 (B1004PC
9	5020405599	Tension regulate pin (lower Looper)(Red)	B10061485-01 (B1004PC
10	5020405177	Tension regulate disc (cover stitch)(Purpel)	B10052573-01
10	5020405600	Tension regulate disc (left needle)(Yellow)	B10051225-01 (B1004PC
10	5020405601	Tension regulate disc (right needle)(Green)	B10053275-01 (B1004PC
10	5020405602	Tension regulate disc (upper Looper)(Blue)	B10051285-01 (B1004PC
10	5020405603	Tension regulate disc (lower Looper)(Red)	B10051485-01 (B1004PC
11	5020405604	Tension dial	B1004P028
12	5020405186	Tension dial setting plate	B10181001
13	5020405454	Set screw	ZM03L05K42
14	5020405125	Set screw	ZM04L04.5A04
15	5020405472	Set screw	ZM04L08A02
16	5020405493	Washer	ZW05.1F10F03
17	5020405496	Wave washer	ZW05.2W09A11
18	5020405567	Tension dial set (Left needle) set	B1004P028A
19	5020405568	Tension dial set (Right needle) set	B1004P028B
20	5020405569	Tension dial set (Upper looper) set	B1004P028C
21	5020405570	Tension dial set (Lower looper) set	B1004P028D
22	5020405942	Tension dial set (Cover stitch) set	
23	5020406037	Tension dial holder set complete	



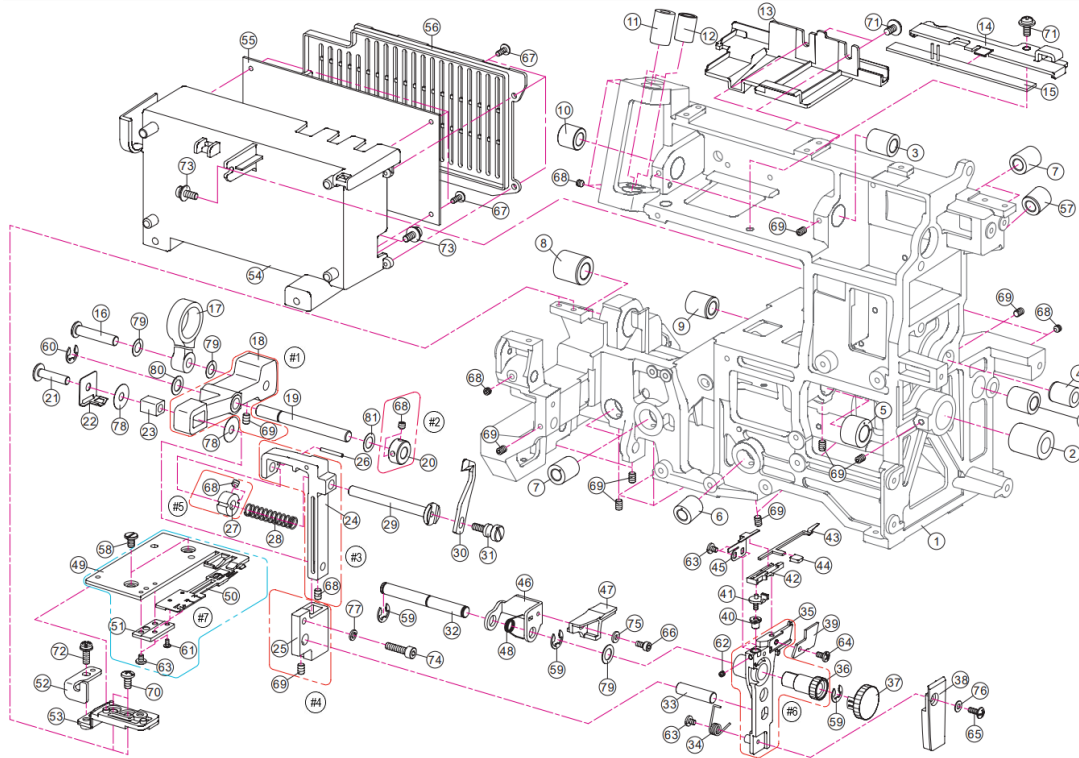
Pos	Item number	Description	Supplier Part no.
1	5020405556	Looper cover	L1242P001
2	5020405606	Looper cover hinge shaft A	L1266
3	5020405607	Looper cover hinge shaft B	L1267
4	5020405608	Looper cover hinge spring	A1106-01
5	5020406038	Sticker	
6	5020405610	Threading cover	L1249-0505-01
7	5020406039	Sticker	
8	5020406040	Sticker	
9	5020405546	2-thread converter	L1055
10	5020405911	Tweezers	L2010A
11	5020405424	Needle threader	H10422-02
12	5020405425	Allen screw driver	H1089
13	5020405535	Cleaning brush	A1101-01
14	1046017000	BERNINA ELx705 CF ASS needle set	
15	5020405612	Cutter cover (A)	L1243P001
16	5020406041	Cutter cover (b)	
17	5020405945	Nut	
18	5020405946	Cutter cover (B) attached plate	
19	5020406042	Cutter cover (c)	
20	5020405613	Base plate	L1248-8005
21	5020405614	Rubber	L1153-01
22	5020405615	Sticker	L1323-01
23	5020406043	Sticker	
24	5020405443	E Ring	ZE03T06E13
25	5020405926	Set screw	ZM04L10R03
26	5020405617	Set screw	ZM04L25E03
27	5020405618	Washer	ZW04.1F14.5H03
NR1	5020406044	Looper cover set (not north america)	
NR2	5020406045	Looper cover set (north america)	
NR3	5020405950	Cutter cover (B) set	
NR4	5020405951	Cutter cover (C) set	

Side cover / Back cover/ Spool stand



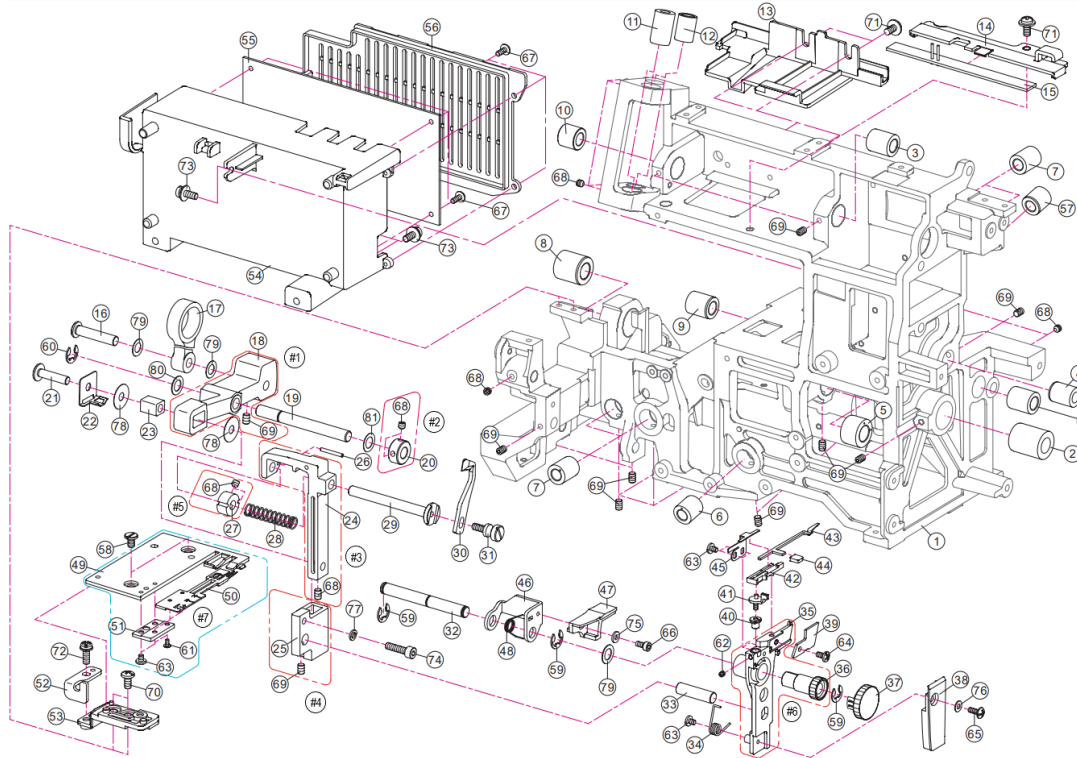
Pos	Item number	Description	Supplier Part no.
1	5020405621	Upper back cover	L1232P001
2	5020405622	Lower back cover	L1233-8005
3	5020406046	Tension guide a cover	
4	5020405624	Thread guide A	L1276
5	5020405625	Thread guide A spring holder	L1173
6	5020405626	Thread guide A spring	L1202-01
7	5020405627	Thread guide A spring	L1315
8	5020405628	Thread guide A	L1174
9	5020406082	Thread spring	
10	5020405629	Side cover	L1236P001
11	5020405422	Screw cap	H1030-8005
12	5020405630	Upper extension table	L1238-0505
13	5020405631	Lower extension table	L1239-8005
14	5020405632	Attached extension table	L1240-0505-01
15	5020405633	Attached extension table attached plate	L1241-0505
16	5020406047	Spool stand	
17	5020405635	Needle placed foam	L2005
18	5020405165	Spool holder	A1V01-0505
19	5020405408	Thread guides and holder	G80602
20	5020405284	Extension bar setting	G1228-0505
21	5020405636	Cushion	L1321
22	5020405461	Set screw	ZM03L08F42
23	5020405465	Square nut	ZM04H03.4S02
24	5020405637	Set screw	ZM04L12X03
25	5020405479	Set screw	ZM04L12W02
26	5020405952	Set screw	
27	5020405496	Wave washer	ZW05.2W09A11
NR1	5020405638	Attached extension table set	L1240-0505A
NR2	5020406048	Spool stand set	
NR3	5020406049	Threading guide set	
NR4	5020406050	Back cover set (pos. 1,2, 3,4,5,6,7,8,22,23)	

Machine frame / Lower cutter / Upper cutter/ Stitch plate



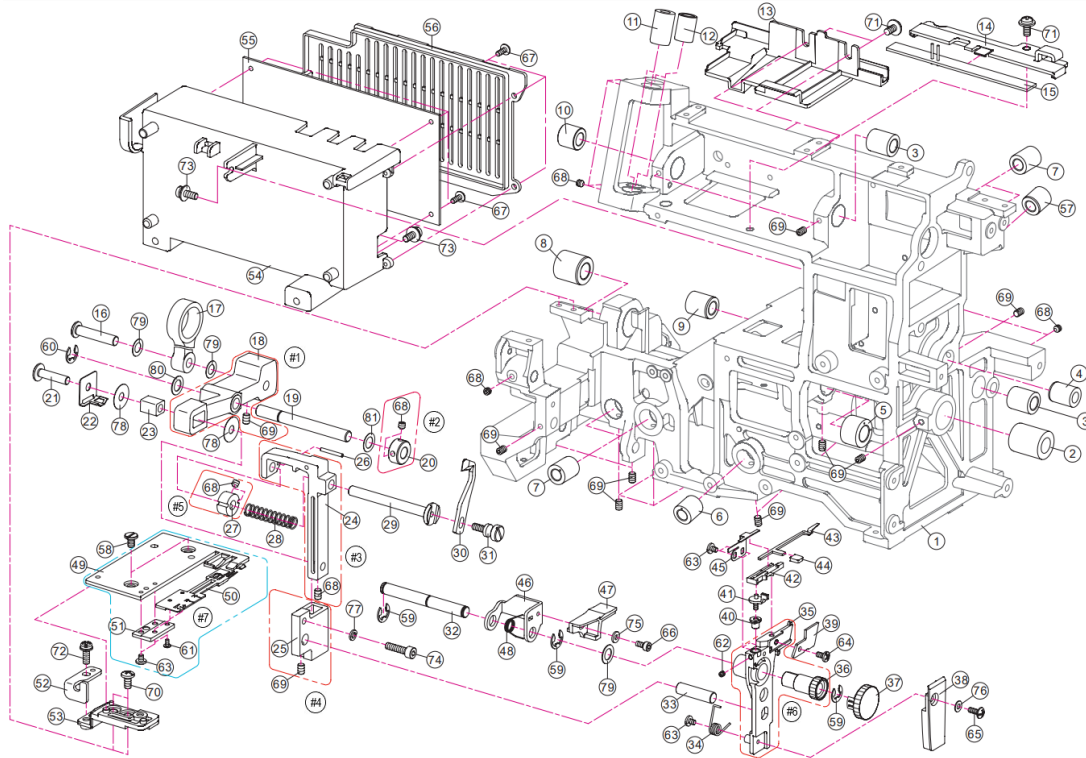
Pos	Item number	Description	Supplier Part no.
2	5020405691	Bushing	A1034-01
3	5020405529	Bushing	G1040-02
4	5020405143	Bushing	A10411000
5	5020405695	Bushing	L1148
6	5020405699	Bushing	L1096
7	5020405704	Bushing	J1163
8	5020405706	Bushing	J1151-01
9	5020405530	Bushing	G1040-1-02
10	5020405531	Bushing	H1026-02
11	5020405142	Bushing	A1037-01
12	5020405808	Presser bar bushing	G1265-01
13	5020405643	Frame cover	L1319-0505
14	5020405644	LED holder B	L1211-0505
15	5020405645	LED PCB set	L12092
16	5020405646	Upper cutter link pin	J1090
17	5020405707	Upper cutter link	J1084
18	5020405647	Upper cutter drive arm	J1085
19	5020405648	Upper cutter drive arm shaft	J1135
20	5020405736	Setting collar	A1094-01
21	5020405649	Upper cutter arm slide block pin	J1095
22	5020405650	Upper knife arm spring	J1164
23	5020405651	Upper cutter arm slide block	J1094
24	5020405652	Upper cutter arm	J1086-01
25	5020405653	Upper cutter slide holder	J1087
26	5020405654	Pin	G1144
27	5020405655	Upper cutter setting collar	J1096-01
28	5020405656	Upper cutter spring	J1168
29	5020406051	Upper cutter holder	
30	5020405539	Upper cutter	L1223
31	5020405658	Set screw	L1280
32	5020405659	Lower cutter holder shaft	L1182
33	5020405660	Slide holder located shaft	J1098
34	5020405661	Lower cutter holder spring	J1145-01
35	5020405662	Lower knife holder	L1178

Machine frame / Lower cutter / Upper cutter/ Stitch plate

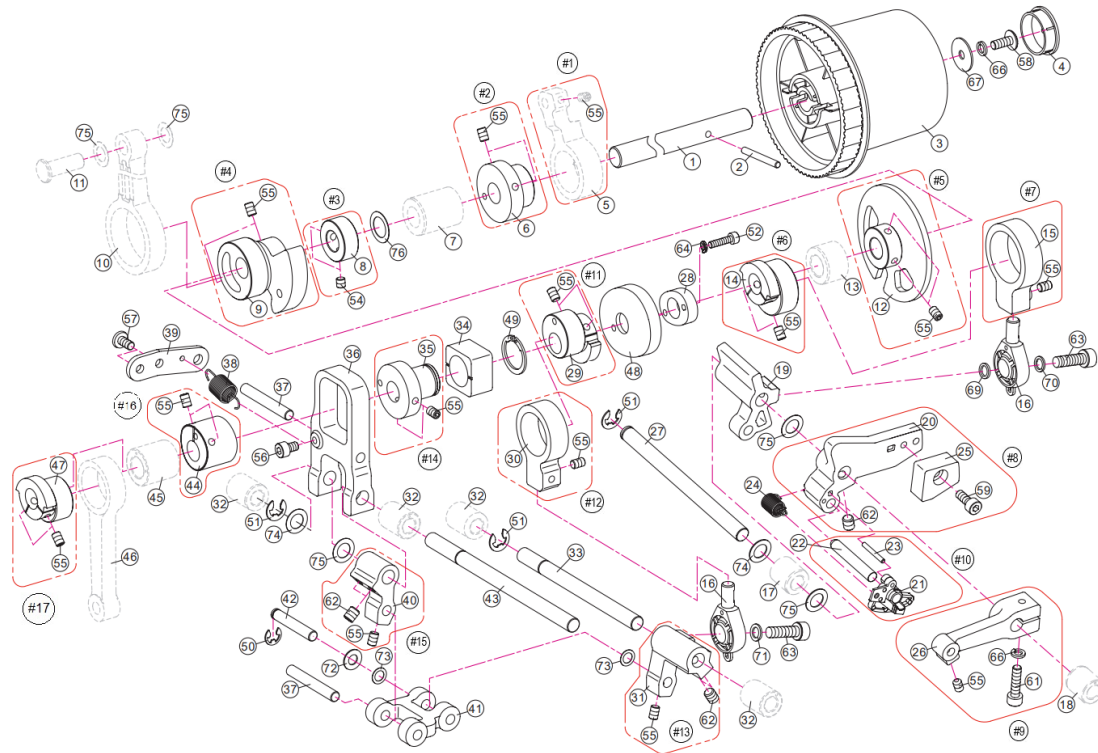


Pos	Item number	Description	Supplier Part no.
36	5020405663	Lower cutter regulate screw	J1092
37	5020405664	Cutting width knob	L1225P002
38	5020405665	Upper knife set cover	L1247-0505
39	5020405540	Lower knife	L1169
40	5020405666	Eccentric regulate setting	L1177
41	5020405667	Moving lever regulate knob	L1176
42	5020405668	Moving lever supporter	L1175
43	5020405564	Moving lever	L1154
44	5020405565	Moving lever cover	L1181-0505
45	5020405669	Moving lever slide holder	L1180
46	5020405676	Feed dog holder plate	L1167
47	5020405677	Feed dog supporter	L1168
48	5020405678	Feed dog supporter spring	L1184
49	5020405670	Stitch plate	J1080(A)
50	5020406052	Fixed lever	
51	5020405671	Stitch plate setting board	L1030
52	5020405672	Front feed dog guide board	J1083
53	5020405673	Stitch plate setting board	J1082
54	5020405674	Power PC board box	L1133-111-02
55	5020405675	Power PC board	L1134
56	5020405679	PCB box cover	L2012-111-01
57	5020400086	Bushing	A10401000
58	5020405300	Set screw	G1279
59	5020405445	E ring	ZE05T06E13
60	5020405446	E ring	ZE06T08E13
61	5020405448	Set screw	ZM02L04E44
62	5020405680	Set screw	ZM03L03L71
63	5020405451	Set screw	ZM03L04A13
64	5020405456	Set screw	ZM03L06A04
65	5020405458	Set screw	ZM03L06E04
66	5020405888	Set screw	ZM03L06Q71
67	5020405461	Set screw	ZM03L08F42
68	5020405468	Set screw	ZM04L04M71
69	5020405126	Set screw	ZM04L06M71

Machine frame / Lower cutter / Upper cutter/ Stitch plate

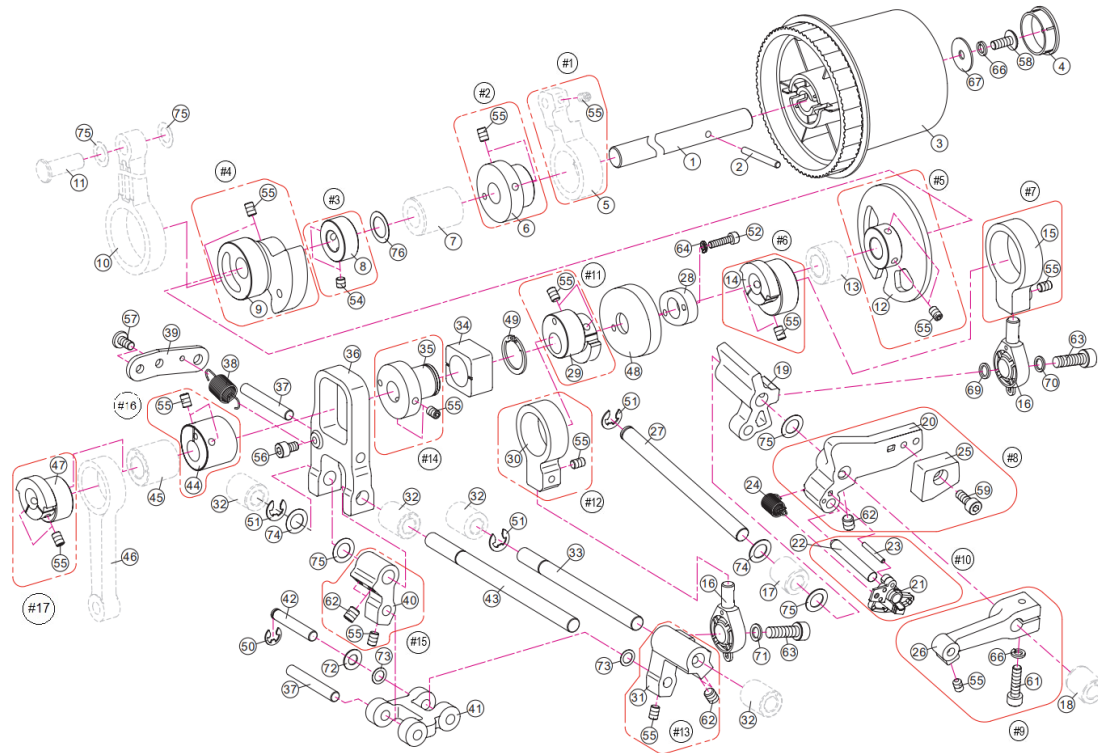


Pos	Item number	Description	Supplier Part no.
70	5020405472	Set screw	ZM04L08A02
71	5020405829	Set screw	ZM04L08R03
72	5020405477	Set screw	ZM04L10W02
73	5020405682	Set screw	ZM04L10X03
74	5020405480	Set screw	ZM04L16Q71
75	5020405485	Washer	ZW03.2F07E03
76	5020405486	Washer	ZW03.2F07J03
77	5020405492	Washer	ZW04S07J12
78	5020405681	Washer	ZW05.2N16B00
79	5020405498	Washer	ZW06.2N11B00
80	5020405500	Washer	ZW07.3F12E01
81	5020405502	Washer	ZW07.3N12B00
NR1	5020405683	Upper cutter drive arm set	J1085S
NR2	5020405750	Setting collar set	A1094-01S
NR3	5020405684	Upper cutter arm set	J1086-01S
NR4	5020405685	Upper cutter slide holder set	J1087S
NR5	5020405686	Upper cutter setting collar set	J1096-01S
NR6	5020405687	Lower cutter holder set	L11782A
NR7	5020406053	Stitch plate set	



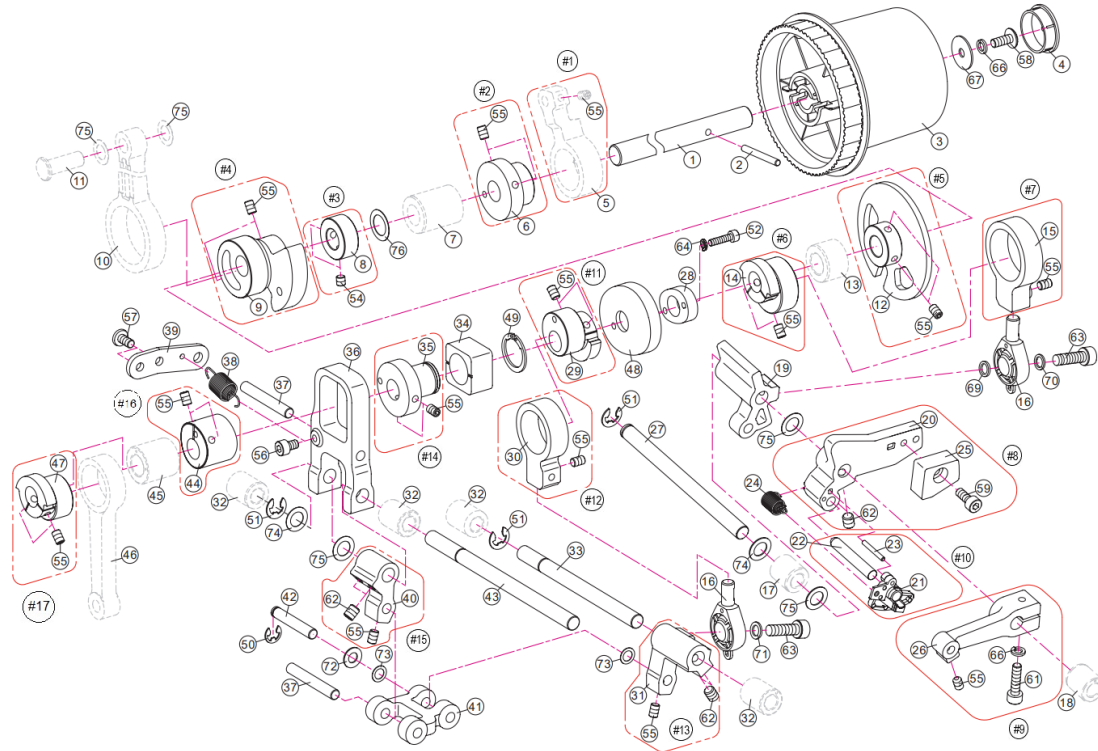
Main shaft

Pos	Item number	Description	Supplier Part no.
1	5020405688	Main shaft	L1092
2	5020405437	Pin	M1210
3	5020405558	Hand wheel	L1258-8005A
4	5020405689	Handwheel cap	H1029-8005
5	5020405734	Feed driving lever	G1349
6	5020405690	Feed cam	A1018-01
7	5020405691	Bushing	A1034-01
8	5020405692	Setting collar	A1095-01
9	5020405693	Needle bar cam	J1050
10	5020405725	Needle bar link	A10081000
11	5020405726	Needle bar link pin	A11201000
12	5020405694	Setting disc set	L10742
13	5020405695	Bushing	L1148
14	5020405696	Looper cam (A)	A11571000
15	5020405697	Upper looper shake link	L1160
16	5020405309	Bearing	G12932
17	5020400086	Bushing	A10401000
18	5020405699	Bushing	L1096
19	5020406054	Upper looper shaft link	
20	5020406055	Upper looper clutch holder	
21	5020406056	Upper looper setting slide holder	
22	5020406057	Upper looper connecting arm setting board	
23	5020405654	Pin	G1144
24	5020406058	Spring	
25	5020406059	Upper looper switcher knob holder	
26	5020405884	Upper looper connecting arm	L1166
27	5020405700	Upper looper shaft	L1104
28	5020405959	Cover looper thread take-up lever cam	
29	5020405960	Lower looper cam	
30	5020405961	Lower looper link (B)	
31	5020405962	Cover looper connecting arm (A)	
32	5020405704	Bushing	J1163
33	5020405703	Lower looper shaft	L1108
34	5020405769	Feed dog supporter slide block	A40041000



Main shaft

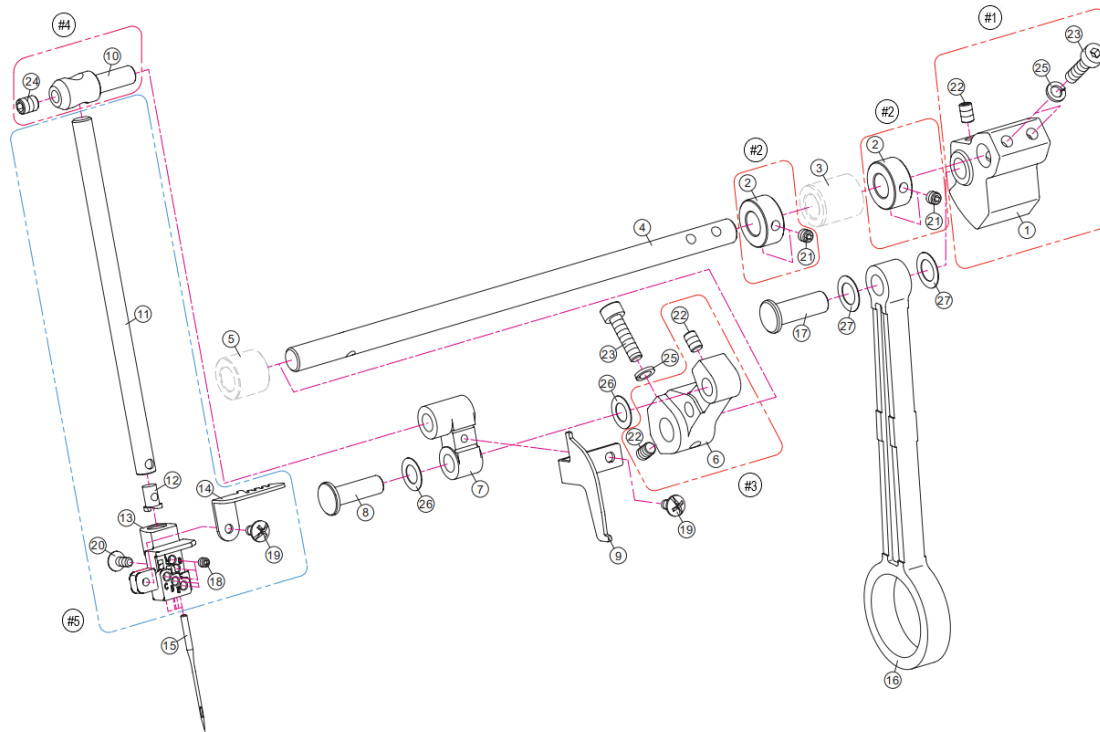
Pos	Item number	Description	Supplier Part no.
35	5020405964	Feed dog cam	
36	5020405965	Axial driver	
37	5020405204	Waver link pin (B)	G1031
38	5020405966	Spring	
39	5020405967	Axial locating board	
40	5020405968	Cover looper connecting arm (C)	
41	5020405969	Cover looper connecting arm (B)	
42	5020405970	Cover looper drive bar pin (A)	
43	5020405971	Cover looper shaft	
44	5020405972	Cover looper cam	
45	5020405706	Bushing	J1151-01
46	5020405707	Upper cutter link	J1084
47	5020406060	Upper cutter cam	
48	5020406001	Cover looper thread take-up lever outer cam	
49	5020405709	Inverted retaining ring	ZC15T01111
50	5020405444	E ring	ZE04T06E13
51	5020405445	E ring	ZE05T06E13
52	5020405973	Set screw	
53	5020406061	Set screw	
54	5020405468	Set screw	ZM04L04M71
55	5020405126	Set screw	ZM04L06M71
56	5020405974	Set screw	
57	5020405472	Set screw	ZM04L08A02
58	5020405474	Set screw	ZM04L10E02
59	5020405870	Set screw	ZM04L10Q71
60	5020406062	Set screw	
61	5020405480	Set screw	ZM04L16Q71
62	5020405482	Set screw	ZM05L06M71
63	5020405710	Set screw	ZM05L16J71
64	5020405890	Washer	ZW03.1S05G13
65	5020405486	Washer	ZW03.2F07J03
66	5020405492	Washer	ZW04S07J12
67	5020405488	Washer	ZW04.2F16J02
68	5020405490	Washer	ZW04.3F10J02



Main shaft

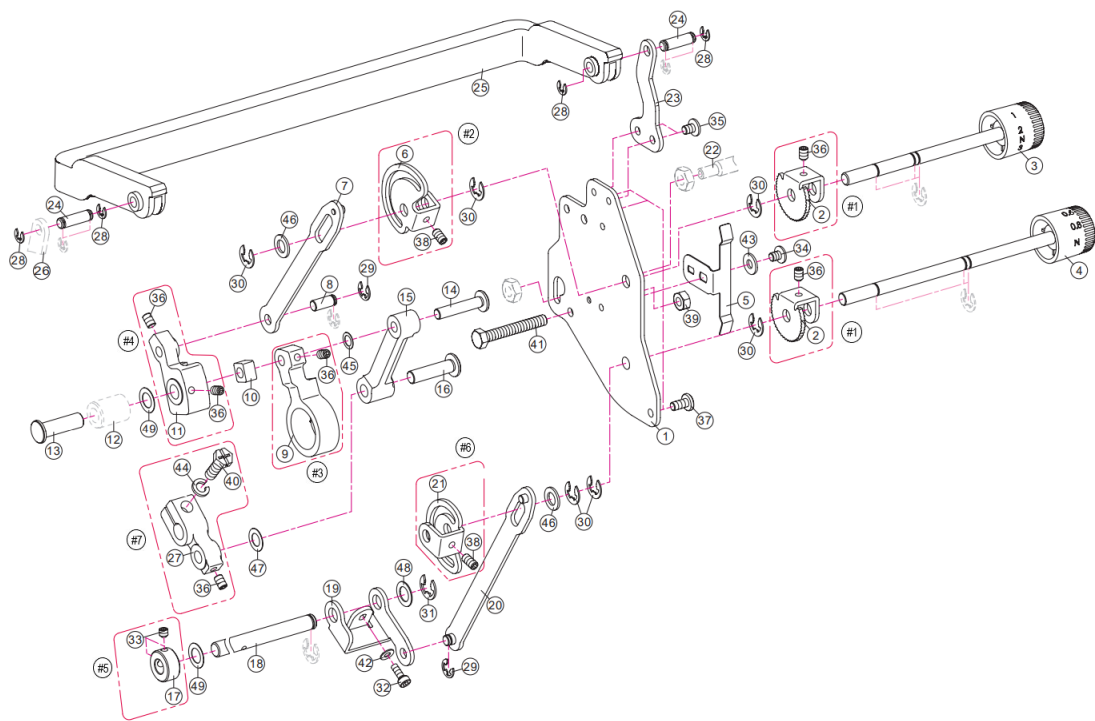
Pos	Item number	Description	Supplier Part no.
69	5020405711	Washer	ZW05F07.2H02
70	5020405712	Washer	ZW05F07.2J01
71	5020405805	Washer	ZW05.1F08H02
72	5020405493	Washer	ZW05.1F10F03
73	5020405495	Washer	ZW05.2N08B00
74	5020405500	Washer	ZW07.3F12E01
75	5020405502	Washer	ZW07.3N12B00
76	5020405505	Washer	ZW10.2N15B00
NR1	5020405321	Feed driving lever set	G1349S
NR2	5020405140	Feed cam set	A1018-01S
NR3	5020405149	Setting collar set	A1095-01S
NR4	5020405713	Needle bar cam set	J1050S
NR5	5020405853	Setting disc set	L10742S
NR6	5020405714	Looper cam (A) set	A1157S
NR7	5020405715	Upper looper shake link set	L1160S
NR8	5020406064	Upper looper clutch holder set	L1360S
NR9	5020405895	Upper looper connecting arm setting board	L1166S
NR10	5020406065	Upper looper setting slide holder set	
NR11	5020405975	Lower looper cam set	
NR12	5020405717	Lower looper link (B) set	J1062S
NR13	5020405976	Cover looper connecting arm (A) set	
NR14	5020405977	Feed dog cam set	
NR15	5020405978	Cover looper connecting arm (C) set	
NR16	5020405979	Cover looper cam set	
NR17	5020405719	Upper cutter cam set	J1053-01S

Needle bar drive link/ Needle bar set



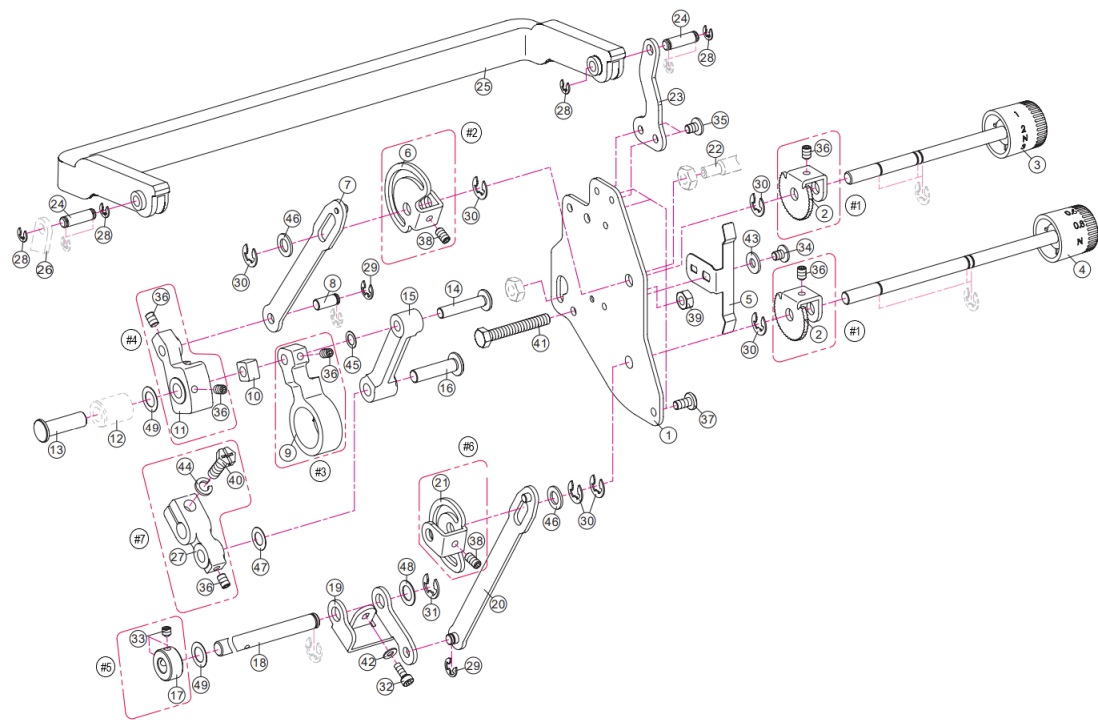
Pos	Item number	Description	Supplier Part no.
1	5020405980	Needle bar drive link	
2	5020405753	Setting collar	A10961001
3	5020405529	Bushing	G1040-02
4	5020405722	Needle bar drive link shaft	L1115
5	5020405531	Bushing	H1026-02
6	5020405981	Needle bar drive link (L)	
7	5020405248	Needle bar connecting arm	G1089
8	5020405330	Needle bar link pin	G1383-01
9	5020405982	Needle bar thread take-up lever	
10	5020405246	Needle bar setting link	G1088
11	5020405328	Needle bar	G1362
12	5020405327	Needle clamp nut	G1361-01
13	5020405983	Needle clamp	
14	5020405984	Needle clamp thread guide	
15	5020405724	Needle	A1K13
16	5020405725	Needle bar link	A10081000
17	5020405726	Needle bar link pin	A11201000
18	5020405452	Set screw	ZM03L04N71
19	5020405458	Set screw	ZM03L06E04
20	5020405773	Set screw	ZM03L08J71
21	5020405468	Set screw	ZM04L04M71
22	5020405126	Set screw	ZM04L06M71
23	5020405480	Set screw	ZM04L16Q71
24	5020405482	Set screw	ZM05L06M71
25	5020405492	Washer	ZW04S07J12
26	5020405498	Washer	ZW06.2N11B00
27	5020405502	Washer	ZW07.3N12B00
NR1	5020405727	Needle bar drive link set	J1104S
NR2	5020405150	Setting collar set	A1096S
NR3	5020405728	Needle bar drive link (L) set	J1103-01S
NR4	5020405247	Needle bar setting link set	G1088S
NR5	5020406066	Needle bar set	
NR6	5020406067	Needle bar set	

Stitch length dial/ Differential feed dial



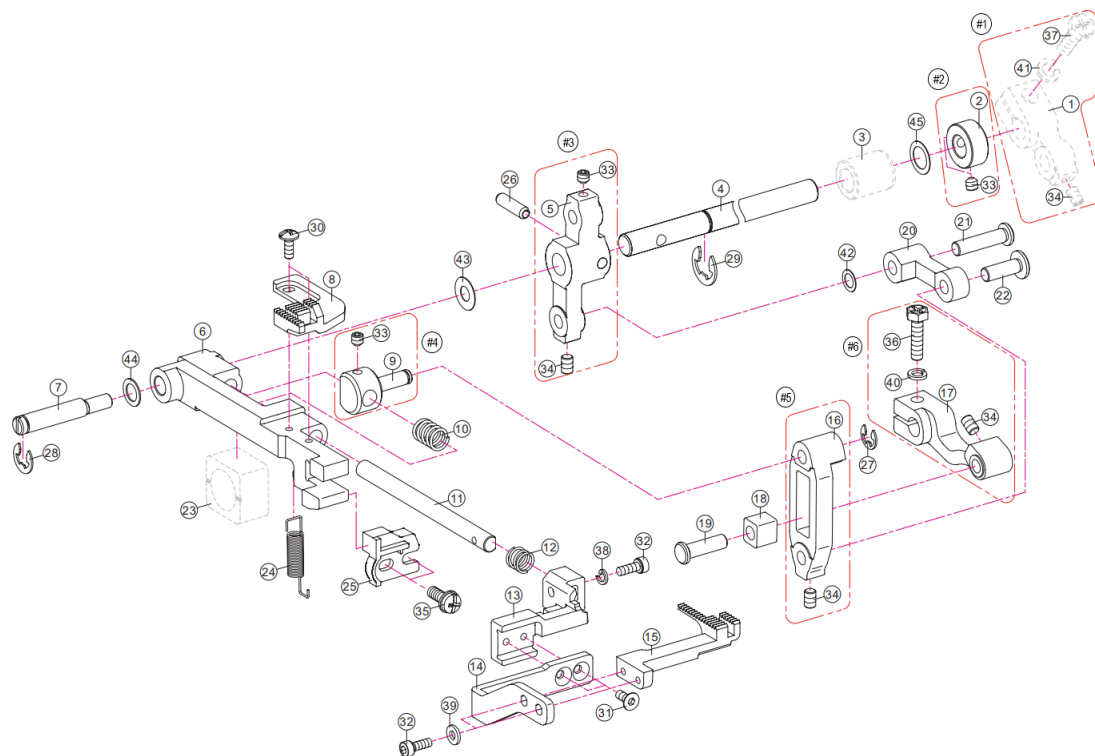
Pos	Item number	Description	Supplier Part no.
1	5020405793	Feed regulate holder	L1040
2	5020405731	Locating collar	L1024
3	5020405554	Stitch length dial	L1259P001
4	5020405561	Differential feed dial	L1260P001
5	5020405566	Locating spring	L1028
6	5020405732	Feed regulate cam	L1086
7	5020405733	Feed regulate link set	L10872
8	5020405322	Feed driving lever pin	G1350
9	5020405734	Feed driving lever	G1349
10	5020405251	Feed slide block	G1099
11	5020405735	Feed slide holder	L1041
12	5020405143	Bushing	A10411000
13	5020405147	Feed regulate holder shaft	A1086-01
14	5020405224	Feed dog holder pin	G1055
15	5020405323	Feed shake link	G1351
16	5020405324	Feed shake link pin	G1352
17	5020405736	Setting collar	A1094-01
18	5020405737	Differential feed regulated shaft	L1091
19	5020405738	Differential feed regulated link (B)	L1090
20	5020405739	Differential feed regulator link A set	L10892
21	5020405740	Differential feed regulator cam	L1088
22	5020405791	Wire rope set	L11832
23	5020405741	Handle supporter (R)	L1274
24	5020405742	Handle supporter pin	L1208
25	5020405743	Handle	L1235-0505
26	5020405811	Presser bar regulate holder set	L12752
27	5020405752	Feed link	G1358
28	5020405443	E Ring	ZE03T06E13
29	5020405444	E ring	ZE04T06E13
30	5020405445	E ring	ZE05T06E13
31	5020405446	E ring	ZE06T08E13
32	5020405462	Set screw	ZM03L08Q71
33	5020405468	Set screw	ZM04L04M71
34	5020405125	Set screw	ZM04L04.5A04

Stitch length dial/ Differential feed dial



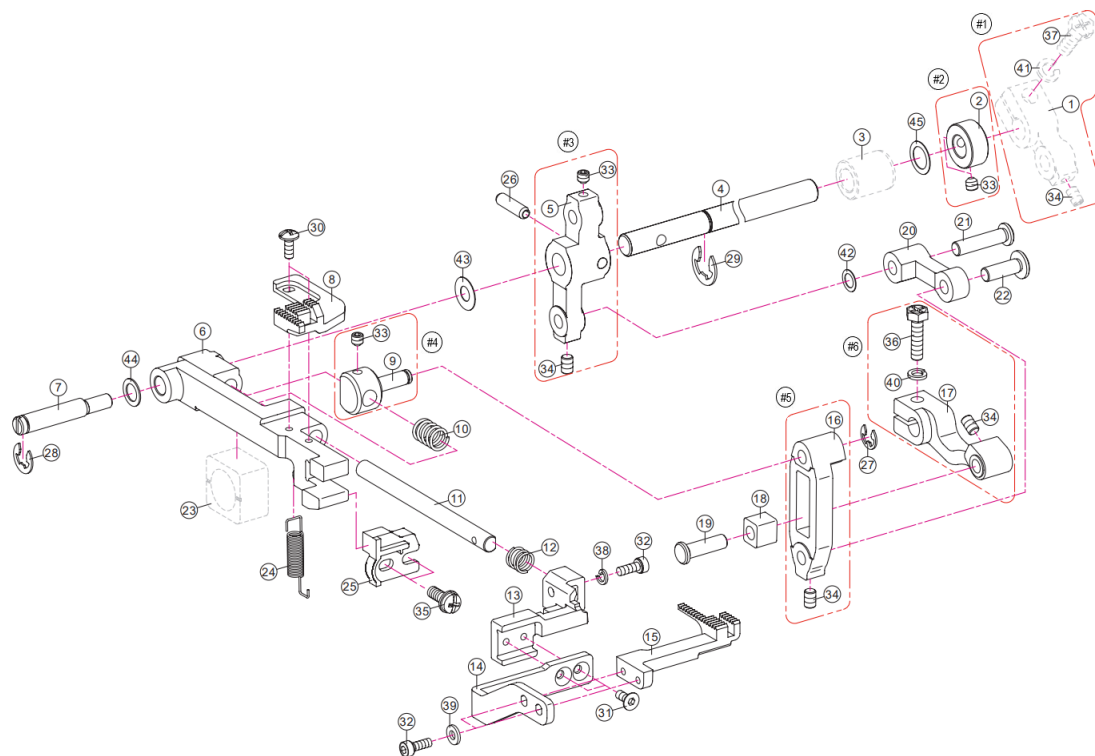
Pos	Item number	Description	Supplier Part no.
35	5020405469	Set screw	ZM04L05A02
36	5020405126	Set screw	ZM04L06M71
37	5020405472	Set screw	ZM04L08A02
38	5020405744	Set screw	ZM04L08M71
39	5020405745	Nut	ZM05H03.8H02
40	5020405483	Set screw	ZM05L15P42
41	5020405746	Set screw	ZM05L35P42
42	5020405485	Washer	ZW03.2F07E03
43	5020405490	Washer	ZW04.3F10J02
44	5020405494	Washer	ZW05.1S08.3L12
45	5020405495	Washer	ZW05.2N08B00
46	5020405830	Washer	ZW06.1F11J11
47	5020405498	Washer	ZW06.2N11B00
48	5020405500	Washer	ZW07.3F12E01
49	5020405502	Washer	ZW07.3N12B00
NR1	5020405747	Locating collar set	L1024S
NR2	5020405748	Feed regulate cam set	L1086S
NR3	5020405321	Feed driving lever set	G1349S
NR4	5020405749	Feed slide holder set	L1041S
NR5	5020405750	Setting collar set	A1094-01S
NR6	5020405751	Differential feed regulator cam set	L1088S
NR7	5020405325	Feed link set	G1358S

Feed dog

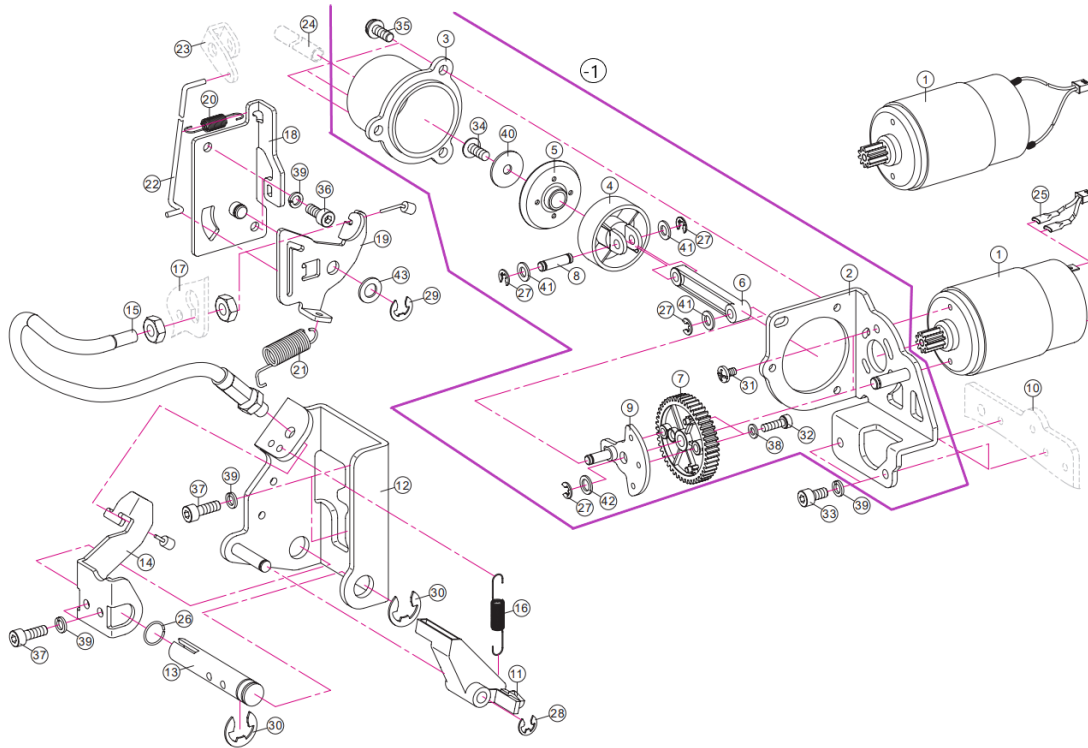


Pos	Item number	Description	Supplier Part no.
1	5020405752	Feed link	G1358
2	5020405753	Setting collar	A10961001
3	5020405530	Bushing	G1040-1-02
4	5020405754	Feed dog movement link shaft	L1116
5	5020405755	Feed dog movement link	J1160
6	5020405756	Feed dog holder	J1031
7	5020405757	Eccentric pin	J1038
8	5020405758	Feed dog (rear)	J1032-02
9	5020405759	Feed dog driving lever	J1034
10	5020405760	Spring	J1167-01
11	5020405761	Feed dog shaft	J1033
12	5020405762	Spring	J1192
13	5020405763	Feed dog holder (front)	L1224
14	5020405764	Feed dog supporter (front)	J1036
15	5020405559	Feed dog (front)	L1159
16	5020405765	Differential feed slide holder	G1045
17	5020405766	Differential feed regulated holder	J1159
18	5020405216	Differential feed slide block	G1046
19	5020405145	Looper shaft link pin	A10791000
20	5020405767	Differential feed link	J1040
21	5020405768	Differential feed link pin	J1061
22	5020405220	Differential feed link pin	G1050
23	5020405769	Feed dog supporter slide block	A40041000
24	5020405770	Feed dog holder spring	J1121
25	5020405771	Feed dog holder guide board	L1285
26	5020405772	Spring pin	ZD04L16A11
27	5020405444	E ring	ZE04T06E13
28	5020405445	E ring	ZE05T06E13
29	5020405447	E ring	ZE07T08E13
30	5020405460	Set screw	ZM03L08E71
31	5020405773	Set screw	ZM03L08J71
32	5020405462	Set screw	ZM03L08Q71
33	5020405468	Set screw	ZM04L04M71
34	5020405126	Set screw	ZM04L06M71

Feed dog



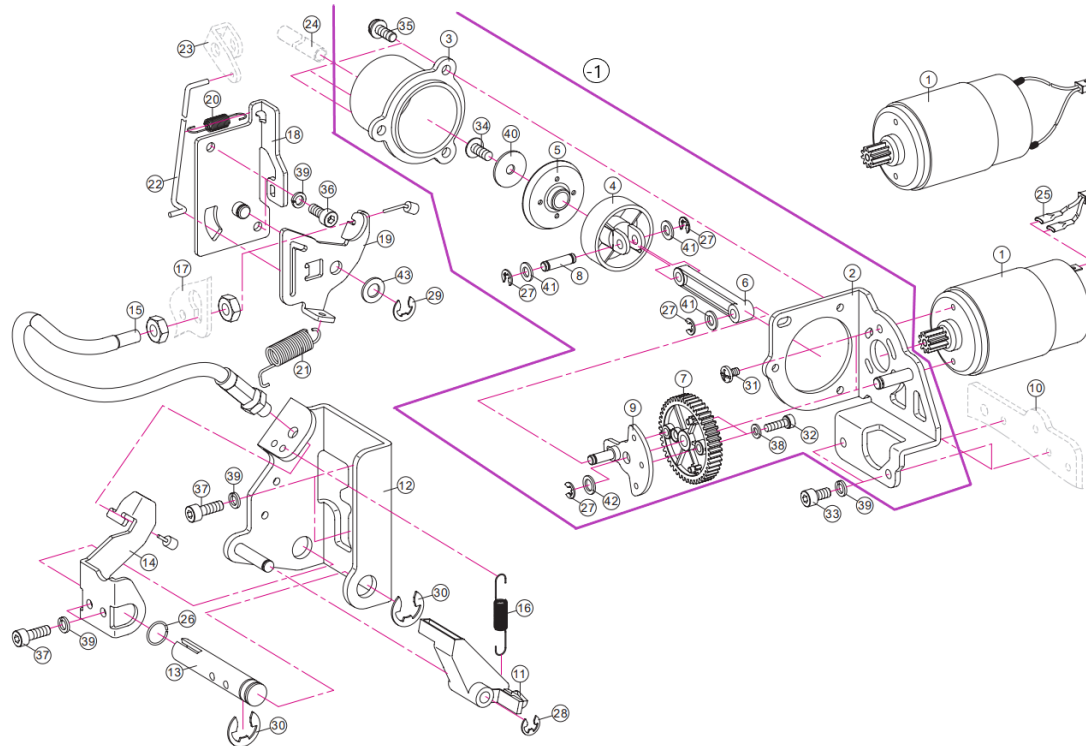
Pos	Item number	Description	Supplier Part no.
35	5020405477	Set screw	ZM04L10W02
36	5020405480	Set screw	ZM04L16Q71
37	5020405483	Set screw	ZM05L15P42
38	5020405890	Washer	ZW03.1S05G13
39	5020405486	Washer	ZW03.2F07J03
40	5020405492	Washer	ZW04S07J12
41	5020405494	Washer	ZW05.1S08.3L12
42	5020405495	Washer	ZW05.2N08B00
43	5020405497	Washer	ZW05.5N12B00
44	5020405774	Washer	ZW06.5F10E01
45	5020405504	Washer	ZW08.2N12B00
NR1	5020405325	Feed link set	G1358S
NR2	5020405150	Setting collar set	A1096S
NR3	5020405775	Feed dog movement link set	J1160S
NR4	5020405776	Feed dog driving lever set	J1034S
NR5	5020405215	Differential feed slide holder set	G1045S
NR6	5020405777	Differential feed regulated holder set	J1159S



Pump set/ Knee lift

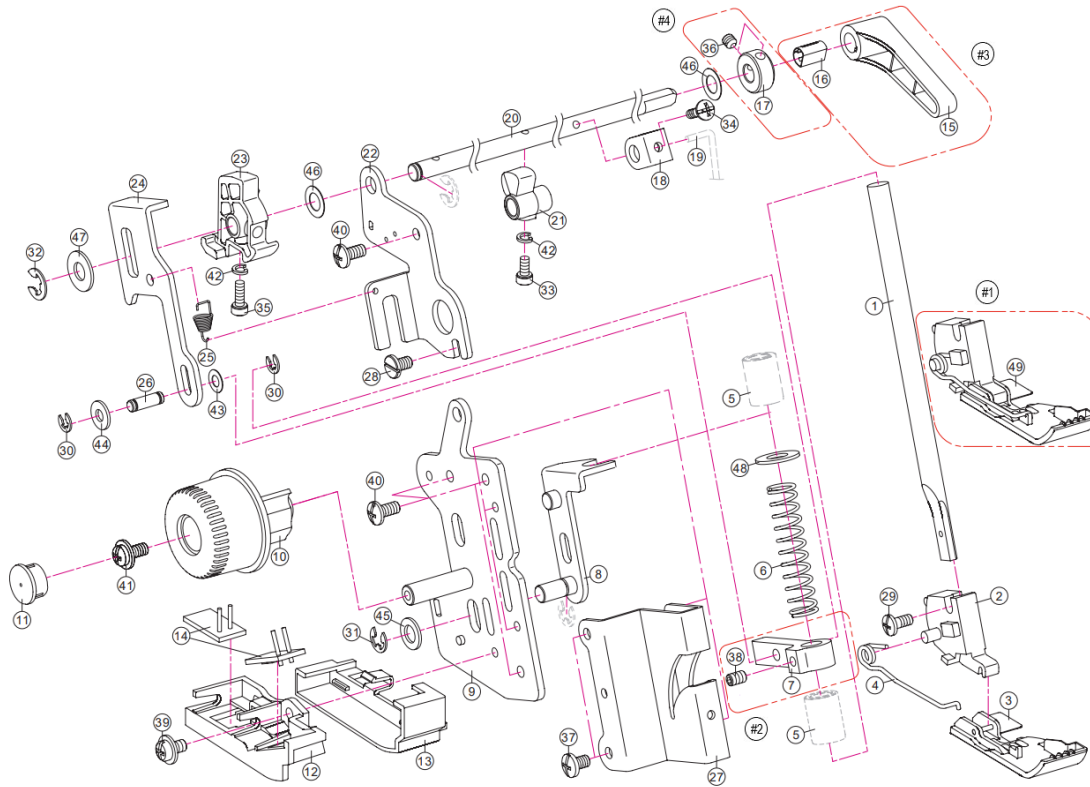
Pos	Item number	Description	Supplier Part no.
-1	5020406087	Pump set 220-240V	L1031A
-1	5020406088	Pump set 100-120V	L1031C
1	5020405550	Motor (220-240V)	KDL5BN-25126G-WRCE
1	5020405778	Motor (100-120V)	K-5R8
2	5020405779	Pump setting board set	L10312
3	5020405780	Pump cylinder	L1032
4	5020405781	Pistons	L1033
5	5020405782	Pistons membrane	L1034
6	5020405783	Pistons link	L1036
7	5020405784	Pump gear	L1037
8	5020405785	Pin	L1038
9	5020405786	Pump crank set	L10392
10	5020405896	Motor supporter	L1139
11	5020405787	Micro switch contactor	L1029
12	5020405788	Knee lift holder set	L11192
13	5020405789	Knee lift sleeve	L1120
14	5020405790	Knee lift connecting plate	L1121
15	5020405791	Wire rope set	L11832
16	5020405792	Contactor spring	L1193
17	5020405793	Feed regulate holder	L1040
18	5020405794	Knee lift follower holder set	L11632
19	5020405989	Knee lift follower plate	
20	5020405796	Release link restoring spring	L1127
21	5020405795	Spring	L1129-01
22	5020405818	Knee lifter release link	L1165
23	5020405817	Knee lifter release link supporter	L1125
24	5020405864	Tube	L1295
25	5020405798	Pump motor cord	L1298
26	5020405799	Spring	L1316
27	5020405800	E ring	ZE03T06E13
28	5020405444	E ring	ZE04T06E13
29	5020405445	E ring	ZE05T06E13
30	5020405801	E ring	ZE08T08E13
31	5020405453	Set screw	ZM03L05A03

Pump set/ Knee lift

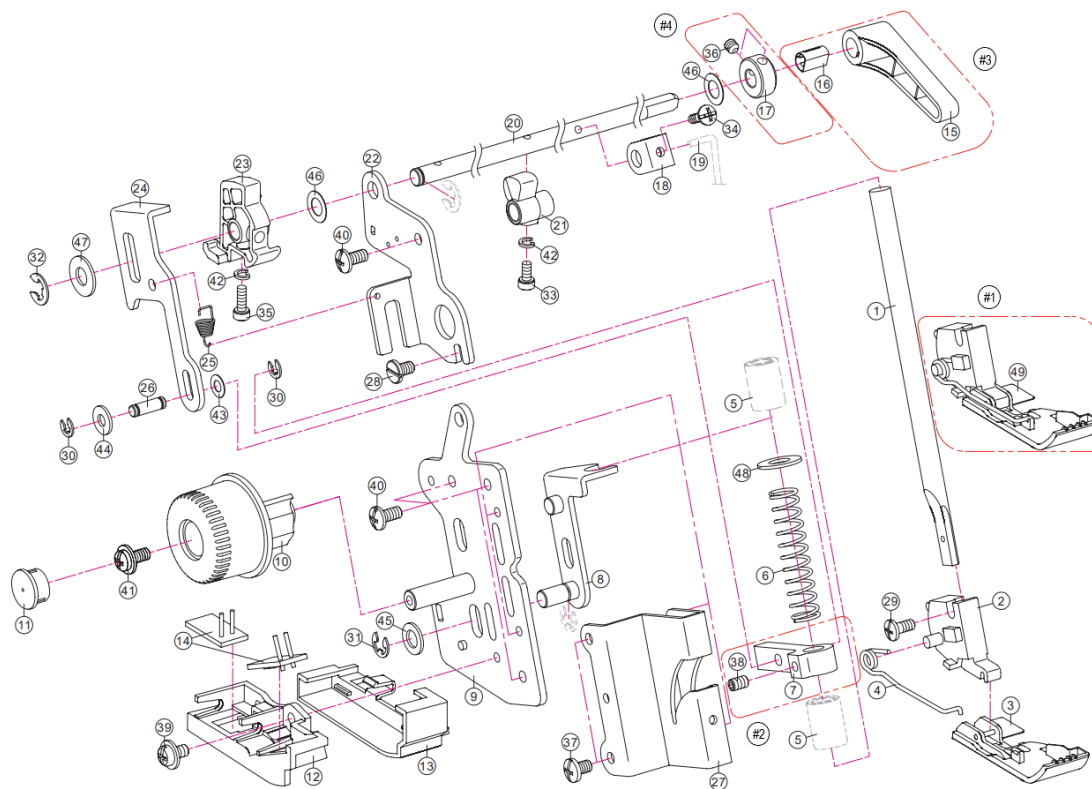


Pos	Item number	Description	Supplier Part no.
32	5020405828	Set screw	ZM03L10Q71
33	5020405802	Set screw	ZM04L08Q71
34	5020405475	Set screw	ZM04L10F42
35	5020405477	Set screw	ZM04L10W02
36	5020405870	Set screw	ZM04L10Q71
37	5020405478	Set screw	ZM04L12Q71
38	5020405803	Washer	ZW03.2F06H02
39	5020405492	Washer	ZW04S07J12
40	5020405488	Washer	ZW04.2F16J02
41	5020405804	Washer	ZW04.3F08H03
42	5020405805	Washer	ZW05.1F08H02
43	5020405830	Washer	ZW06.1F11J11

Presser bar/ Presser foot

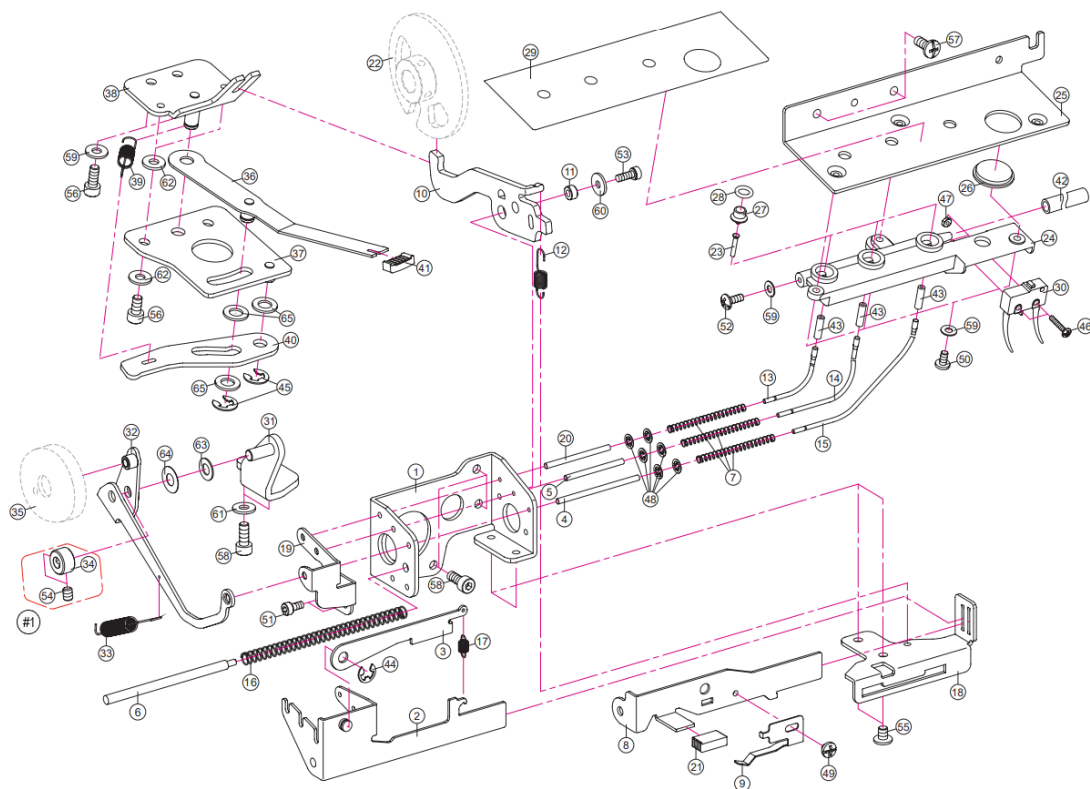


Pos	Item number	Description	Supplier Part no.
1	5020405296	Presser bar	G1266
2	5020405156	Presser foot holder	A1A021004
3	5020405806	Presser foot	L1226
4	5020405807	Presser foot spring Long	L1337
5	5020405808	Presser bar bushing	G1265-01
6	5020405342	Presser bar spring	G2066
7	5020405809	Presser bar setting link	J1142
8	5020405810	Pressure regulator set	J11102
9	5020405811	Presser bar regulate holder set	L12752
10	5020405812	Foot pressure adjusting dial	G8018P002
11	5020405422	Screw cap	H1030-8005
12	5020405813	LED holder A	L1206-0505
13	5020405814	LED cover	L1210
14	5020405551	LED PC board set	L11352
15	5020405571	Presser bar lifter	J1024-8005
16	5020405815	Spring	J1097
17	5020405816	Setting collar	G2040-01
18	5020405817	Knee lifter release link supporter	L1125
19	5020405818	Knee lifter release link	L1165
20	5020405819	Presser bar control shaft	L2013
21	5020405820	Release cam	L1185
22	5020405821	Presser bar setting bar holder	J1158-01
23	5020405822	Presser bar lifter	J1106-01
24	5020405823	Presser bar lifting plate	J1109
25	5020405824	Presser bar lifting plate spring	J1144-01
26	5020405825	Presser bar setting link pin	J1059
27	5020405826	Thread take-up cover	L1161A
28	5020405300	Set screw	G1279
29	5020405441	Set screw	Z0964L08A14
30	5020405443	E Ring	ZE03T06E13
31	5020405444	E ring	ZE04T06E13
32	5020405445	E ring	ZE05T06E13
33	5020405888	Set screw	ZM03L06Q71
34	5020405827	Set screw	ZM03L10E01



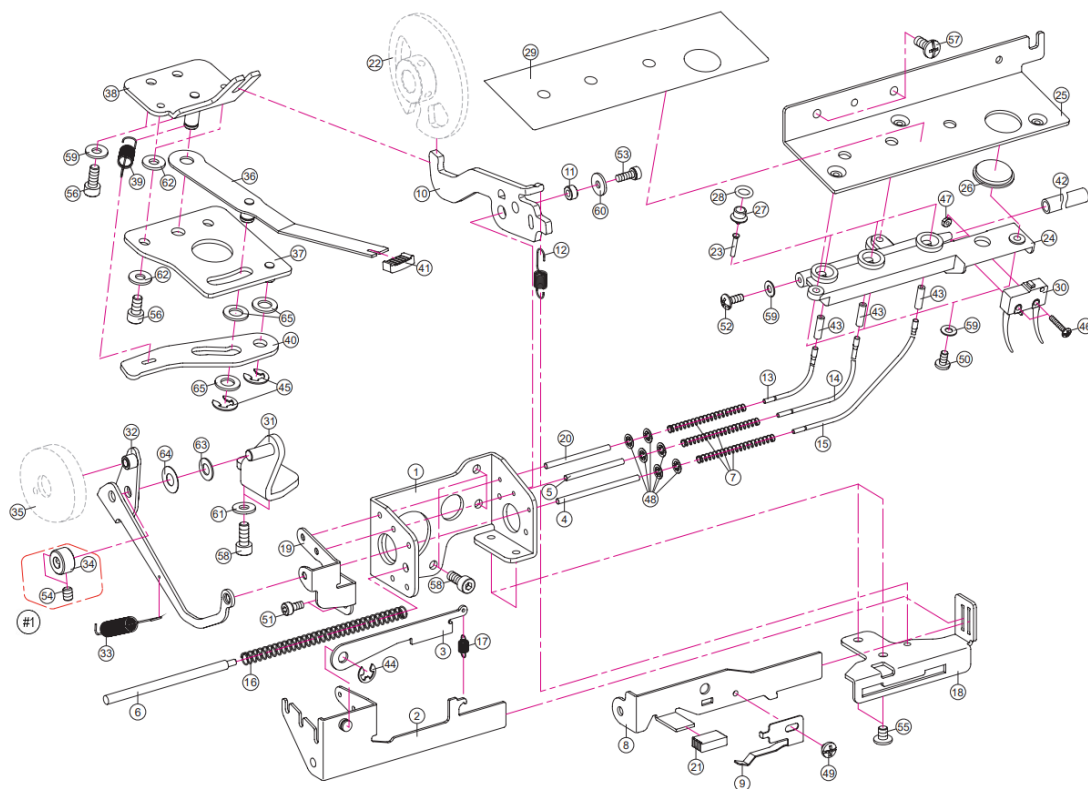
Pos	Item number	Description	Supplier Part no.
35	5020405828	Set screw	ZM03L10Q71
36	5020405468	Set screw	ZM04L04M71
37	5020405470	Set screw	ZM04L06A04
38	5020405126	Set screw	ZM04L06M71
39	5020405925	Set screw	ZM04L06R03
40	5020405472	Set screw	ZM04L08A02
41	5020405829	Set screw	ZM04L08R03
42	5020405890	Washer	ZW03.1S05G13
43	5020405991	Washer	
44	5020405490	Washer	ZW04.3F10J02
45	5020405830	Washer	ZW06.1F11J11
46	5020405498	Washer	ZW06.2N11B00
47	5020405831	Washer	ZW06.4F14J02
48	5020405501	Washer	ZW07.3F15J03
NR1	5020405536	Presser foot set	L12262A
NR2	5020405832	Presser bar setting link set	J1142S
NR3	5020405833	Presser bar lifter set	J1024-8005A
NR4	5020405834	Setting collar set	G2040-01S

Threading panel set/ Upper looper switcher knob



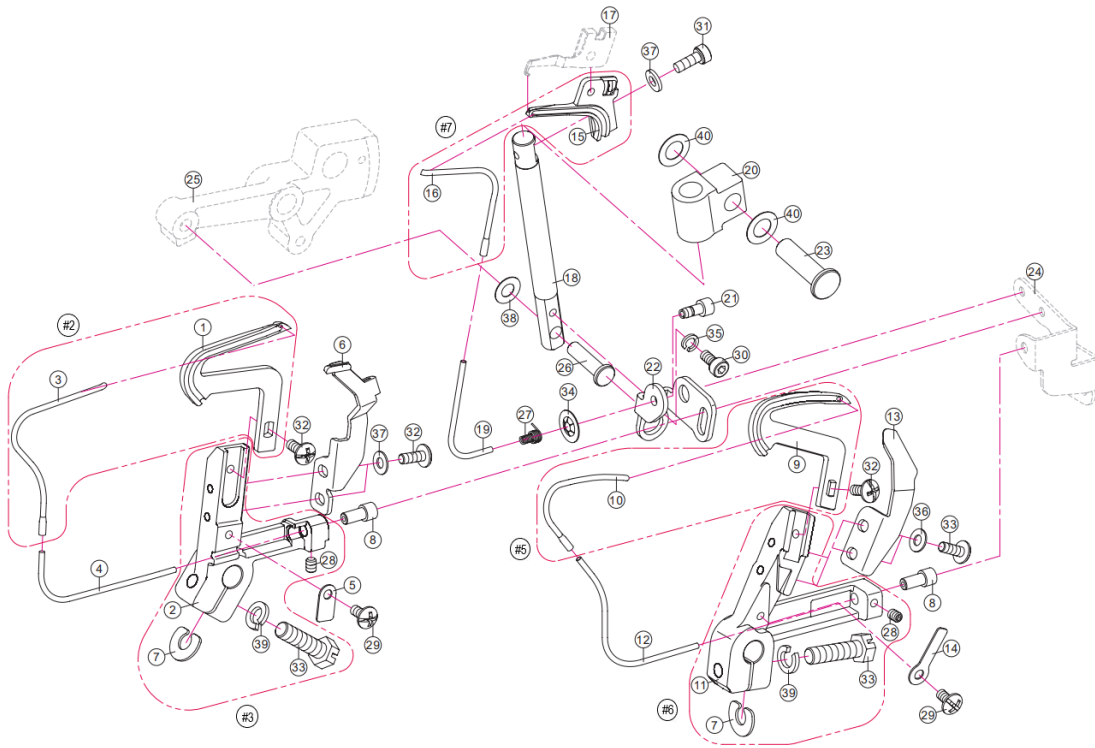
Pos	Item number	Description	Supplier Part no.
1	5020405835	Tube holder	L1061
2	5020405993	Mobile tube holder set	
3	5020405837	Mobile tube holder locating board	L1063
4	5020405994	Cover looper mobile connecting tube	
5	5020405838	Lower looper mobile connecting tube	L1065
6	5020405839	Mobile tube holder shaft	L1066
7	5020405840	Mobile tube spring	L1067
8	5020405841	Threading locating knob	L1068
9	5020405842	Spring	L1070
10	5020405843	Timing locating board	L1071
11	5020405844	Timing locating board washer	L1072
12	5020405845	Spring	L1073
13	5020405846	Upper looper connecting tube	L1075
14	5020405847	Lower looper connecting tube	L1076
15	5020405995	Cover looper connecting tube	
16	5020405848	Spring	L1079
17	5020405849	Spring	L1080
18	5020405850	Upper looper clutch lever	L1081
19	5020406068	Tube holder b	
20	5020405851	Upper looper mobile connecting tube	L1152
21	5020405852	Threading locating knob cap	L1214-0505
22	5020405853	Setting disc set	L10742S
23	5020405854	Connecting pipe	L1078
24	5020405855	Threading pedestal	L1110
25	5020405856	Threading panel	L1111
26	5020405857	Threading button	L1112-0505
27	5020405859	Threading port	L1113
28	5020405860	O ring	L1291
29	5020406069	Sticker	
30	5020405862	Mirco switch	L1292
31	5020405997	Cover looper thread take-up lever supporter set	
32	5020405998	Cover looper thread take-up lever set	
33	5020405999	Spring	
34	5020406000	Setting collar	

Threading panel set/ Upper looper switcher knob



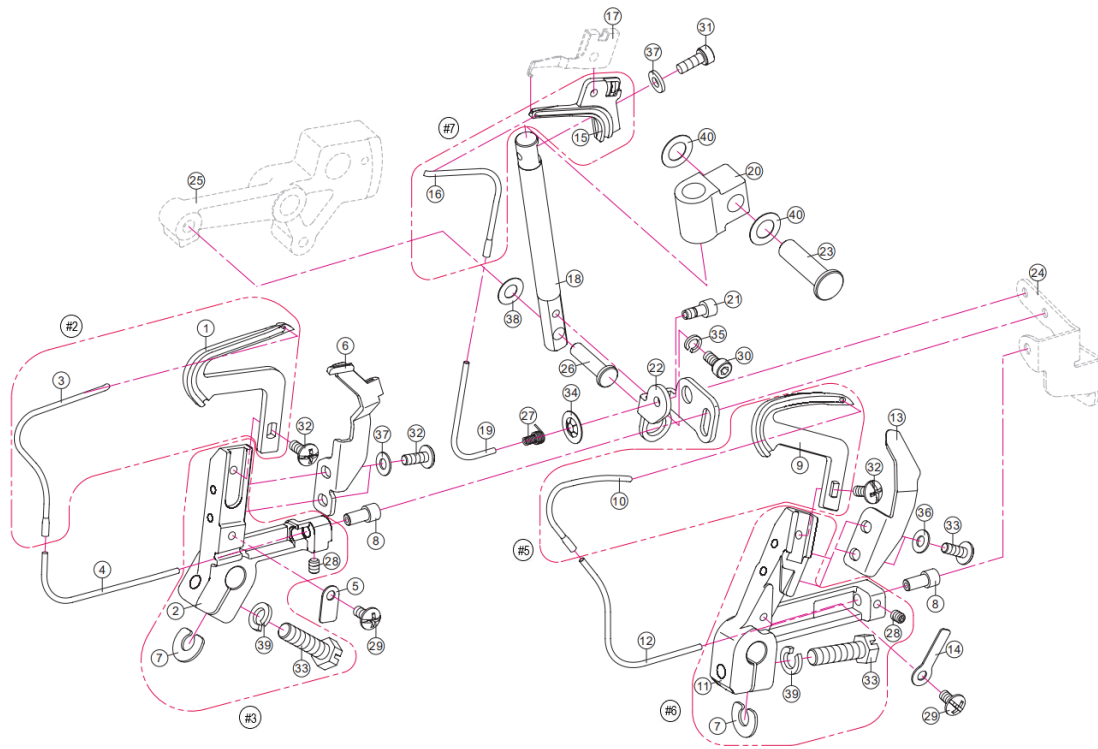
Pos	Item number	Description	Supplier Part no.
35	5020406001	Cover looper thread take-up lever outer cam	
36	5020406070	Upper looper switcher knob	
37	5020406071	Upper looper switcher supporter set	
38	5020406072	Upper looper switcher knob supporter set	
39	5020406073	Spring	
40	5020406074	Upper looper switch plate	
41	5020406075	Upper looper switcher knob cap	
42	5020405864	Tube	L1295
43	5020405865	Sealing rubber tube	L1325A
44	5020405444	E ring	ZE04T06E13
45	5020405445	E ring	ZE05T06E13
46	5020405866	Set screw	ZM02L12C43
47	5020405867	Nut	ZM02H01.5A03
48	5020405868	Nut	ZM02.4T0.3C11
49	5020405450	Set screw	ZM03L03A03
50	5020405456	Set screw	ZM03L06A04
51	5020405888	Set screw	ZM03L06Q71
52	5020405461	Set screw	ZM03L08F42
53	5020405462	Set screw	ZM03L08Q71
54	5020405468	Set screw	ZM04L04M71
55	5020405469	Set screw	ZM04L05A02
56	5020405802	Set screw	ZM04L08Q71
57	5020405869	Set screw	ZM04L10A02
58	5020405870	Set screw	ZM04L10Q71
59	5020405485	Washer	ZW03.2F07E03
60	5020405487	Washer	ZW03.3F10J02
61	5020405490	Washer	ZW04.3F10J02
62	5020406076	Washer	
63	5020405493	Washer	ZW05.1F10F03
64	5020405497	Washer	ZW05.5N12B00
65	5020405830	Washer	ZW06.1F11J11
NR1	5020406002	Setting collar set	

Lower looper/ Upper looper

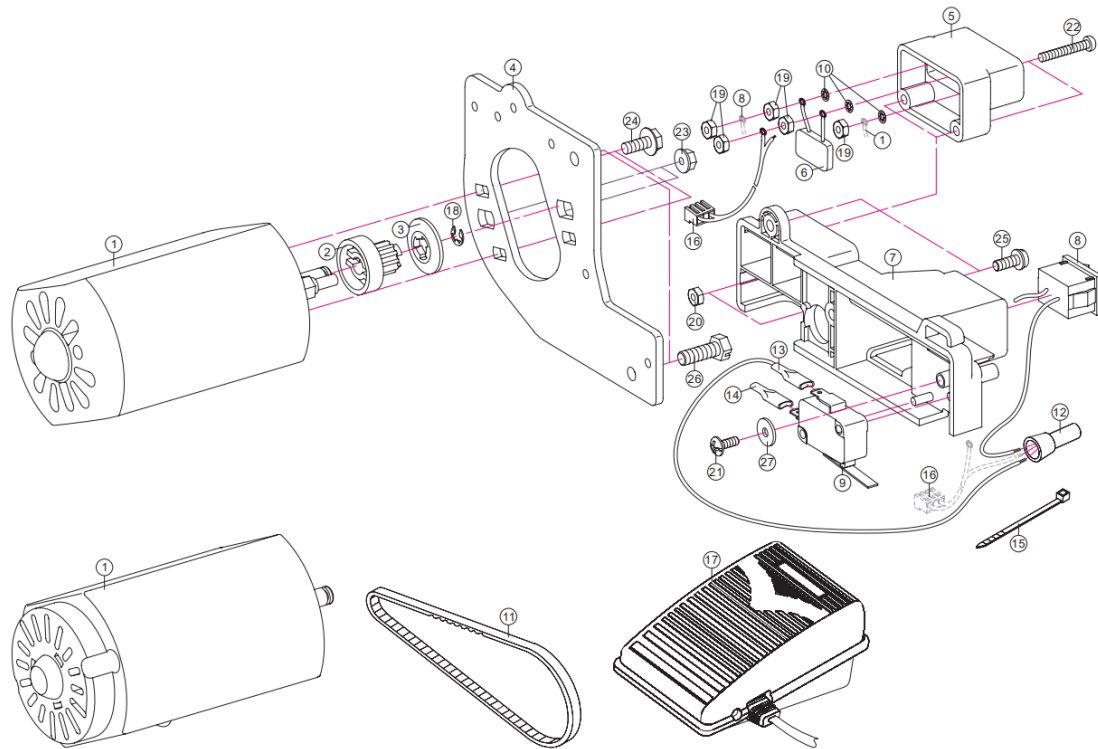


Pos	Item number	Description	Supplier Part no.
1	5020405542	Lower looper	L1042
2	5020405871	Lower looper supporter	L1043
3	5020405872	Lower looper tube	L1044
4	5020405873	Lower looper supporter tube	L1045
5	5020405874	Lower looper tube press plate	L1046
6	5020405552	Lower looper protect board	J1065-01
7	5020405304	Washer	G1287
8	5020405875	Tube connector B	L1047
9	5020406003	Cover looper	
10	5020406004	Cover looper tube	L1049-01
11	5020406005	Cover looper supporter	
12	5020406006	Cover looper supporter tube	
13	5020406007	Cover looper protect board	L1052
14	5020406008	Cover looper tube press plate	
15	5020405541	Upper looper	L1053
16	5020405876	Upper looper tube A	L1054
17	5020405546	2-thread converter	L1055
18	5020405877	Slide shaft	L1056
19	5020405878	Upper looper tube B	L1057
20	5020405879	Slide shaft holder	L1058
21	5020405880	Tube connector A	L1059
22	5020405881	Upper looper take-up lever	L1060
23	5020405882	Slide shaft holder pin	L1069
24	5020405883	Tube holder B	L1099
25	5020406078	Upper looper connecting arm	
26	5020405885	Slide shaft pin	L1105
27	5020405886	Spring	L1138
28	5020405887	Set screw	ZM03L04L71
29	5020405458	Set screw	ZM03L06E04
30	5020405888	Set screw	ZM03L06Q71
31	5020405462	Set screw	ZM03L08Q71
32	5020405460	Set screw	ZM03L08E71
33	5020405484	Set screw	ZM05L18P02
34	5020405889	Nut	ZM03T0.3S11

Lower looper/ Upper looper

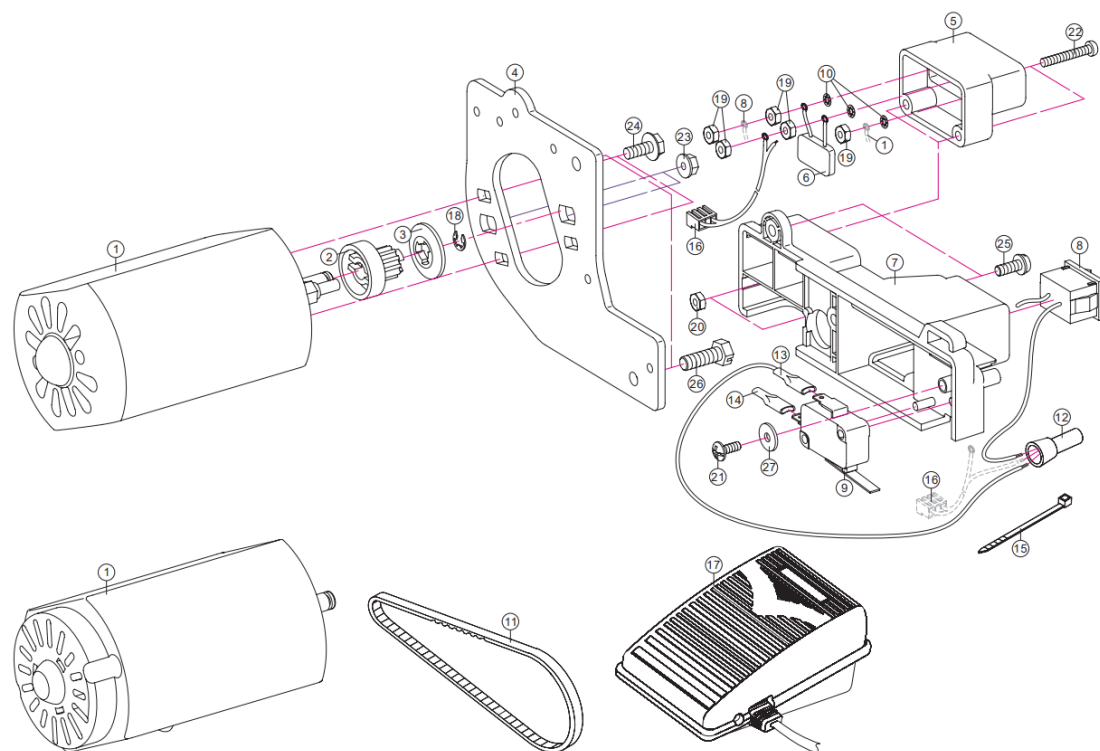


Pos	Item number	Description	Supplier Part no.
35	5020405890	Washer	ZW03.1S05G13
36	5020405485	Washer	ZW03.2F07E03
37	5020405486	Washer	ZW03.2F07J03
38	5020405891	Washer	ZW04.5N09B00
39	5020405494	Washer	ZW05.1S08.3L12
40	5020405498	Washer	ZW06.2N11B00
NR1	5020406079	Lower looper supporter set	
NR2	5020405893	Lower looper set	L1042B
NR3	5020405560	Lower looper supporter set	L1043S
NR4	5020406009	Cover looper supporter set	
NR5	5020406010	Cover looper set	
NR6	5020406011	Cover looper supporter set	
NR7	5020405894	Upper looper set	L1053A



Electronic parts

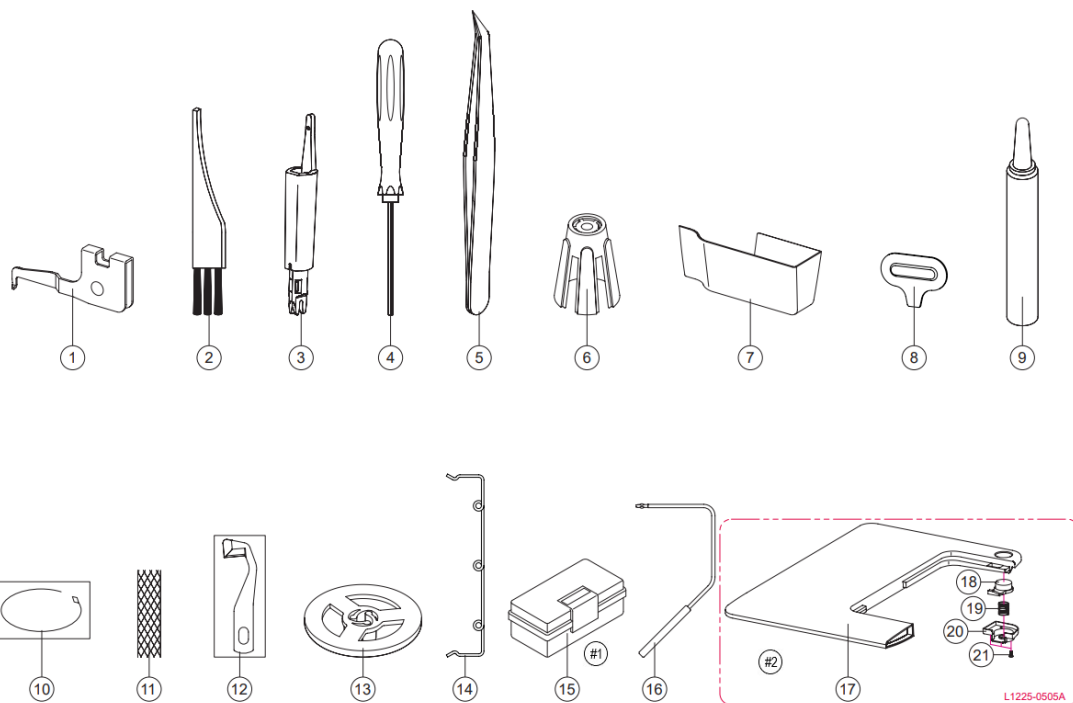
Pos	Item number	Description	Supplier Part no.
1	5020406080	Motor (120v/105w)	
1	5020406081	Motor (230v/105w)	
2	5020405152	Timing belt pulley	A11411000
3	5020405153	Timing belt pulley cover	A11421000
4	5020405896	Motor supporter	L1139
5	5020405128	Machine socket	3SRF-2
6	5020405432	Condenser (220V~240V)	KC98-18
6	5020405434	Condenser (220V~240V)	KC98-18S
7	5020406012	Switch supporter	
8	5020405197	Switch	EE378
9	5020405523	Mirco switch	EE1165
10	5020405438	Washer	M9838
11	5020405418	Timing belt	H1011
12	5020405194	C4 End terminal	EE0191000
13	5020405195	Terminal W/transparent insulation tube	EE0501000
14	5020405196	Insulated double crimp disconnecter (230V)	EE0511184
14	5020405898	Insulated double crimp disconnecter (110V)	EE0511187
15	5020405193	Cord clip	EE0112004
15	5020405899	Cord clip	J1254
16	5020405900	Power board cord (110-120V)	L1296
16	5020405901	Power board cord (220-240V)	L1297
17	5020405129	Foot controller (Japan)	4C-315A221
17	5020405130	Foot controller (USA&Canada)	4C-316B22
17	5020405131	Foot controller (Korea)	4C-316C26
17	5020405132	Foot controller (Middle East)	4C-316C28
17	5020405133	Foot controller (South Africa)	4C-326C22
17	5020405135	Foot controller (Europe)	4C-326G22
17	5020405136	Foot controller (Argentina)	4C-326G24
17	5020405137	Foot controller (UK)	4C-326G25
17	5020405138	Foot controller (Saudi Arabia)	4C-326G35
17	5020405139	Foot controller (India)	4C-326G36
17	5020405902	Foot controller (USA&Canada)	4C-316B27
17	5020405903	Foot controller (Middle East) (Gray)	4C-316C38
17	5020405904	Foot controller (Phillipines)	4C-326G26



Electronic parts

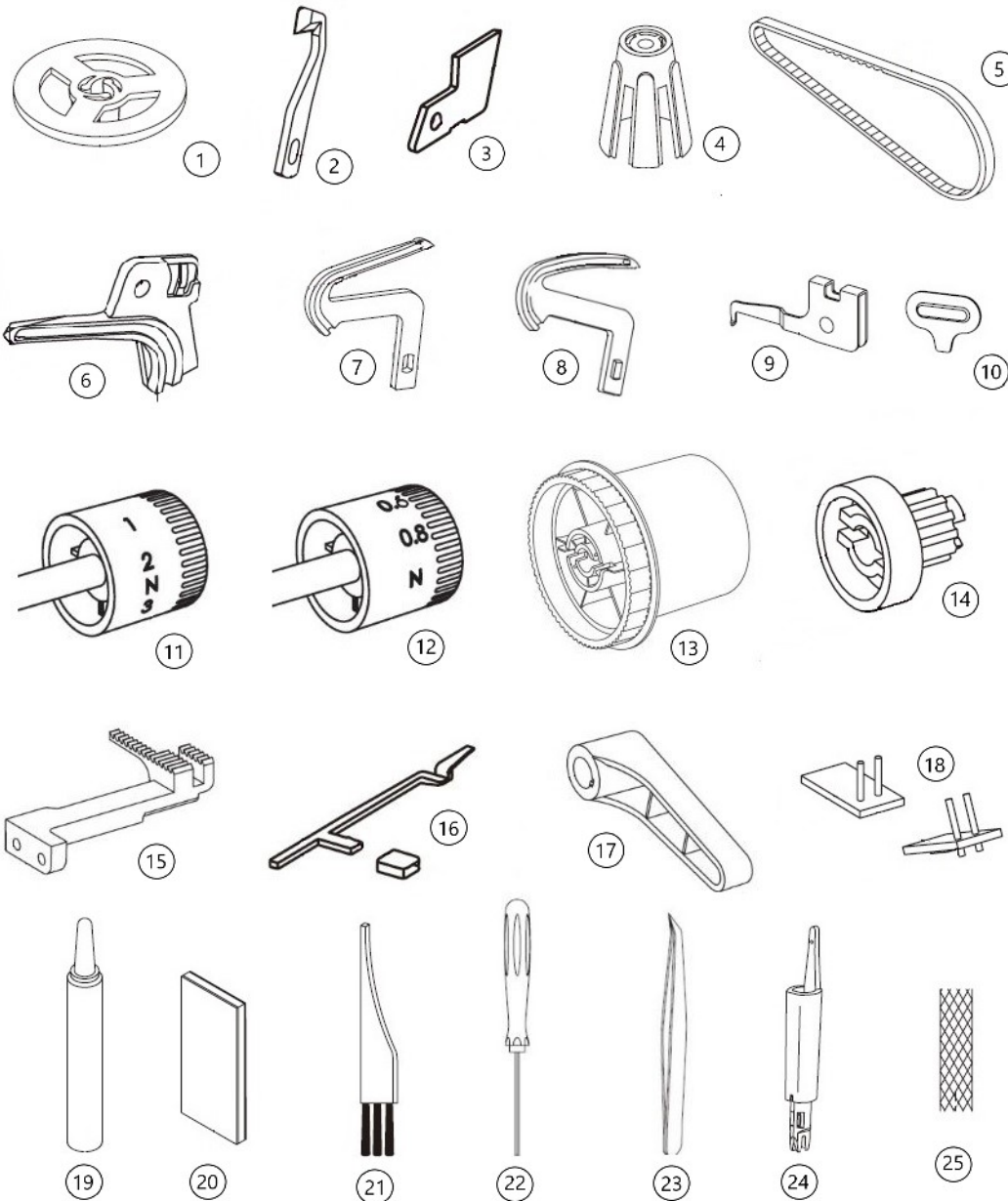
Pos	Item number	Description	Supplier Part no.
17	5020405905	Foot controller (Europe)	4C-326G27
17	5020405906	Foot controller (USA&Canada)	4C-345B22
17	5020405907	Foot controller (Australia&New Zealand)	4C-345C23
17	5020405908	Foot controller (UK)	4C-345G25
17	5020405909	Foot controller (Europe)	4C-345G22
17	5020406013	Foot controller (USA&Canada)	
18	5020405444	E ring	ZE04T06E13
19	5020405449	Nut (100V*3PCS /120V*3PCS / 220V~240V*5PCS)	ZM03H02.4H03
20	5020405910	Nut	ZM03H02.5H03
21	5020405461	Set screw	ZM03L08F42
22	5020405463	Set screw	ZM03L22C42
23	5020405466	Nut (100~120V)	ZM04H05F02
24	5020405476	Set screw (220V~240V)	ZM04L10R42
25	5020405477	Set screw	ZM04L10W02
26	5020406014	Set screw	
27	5020405487	Washer	ZW03.3F10J02

b68



Accessory

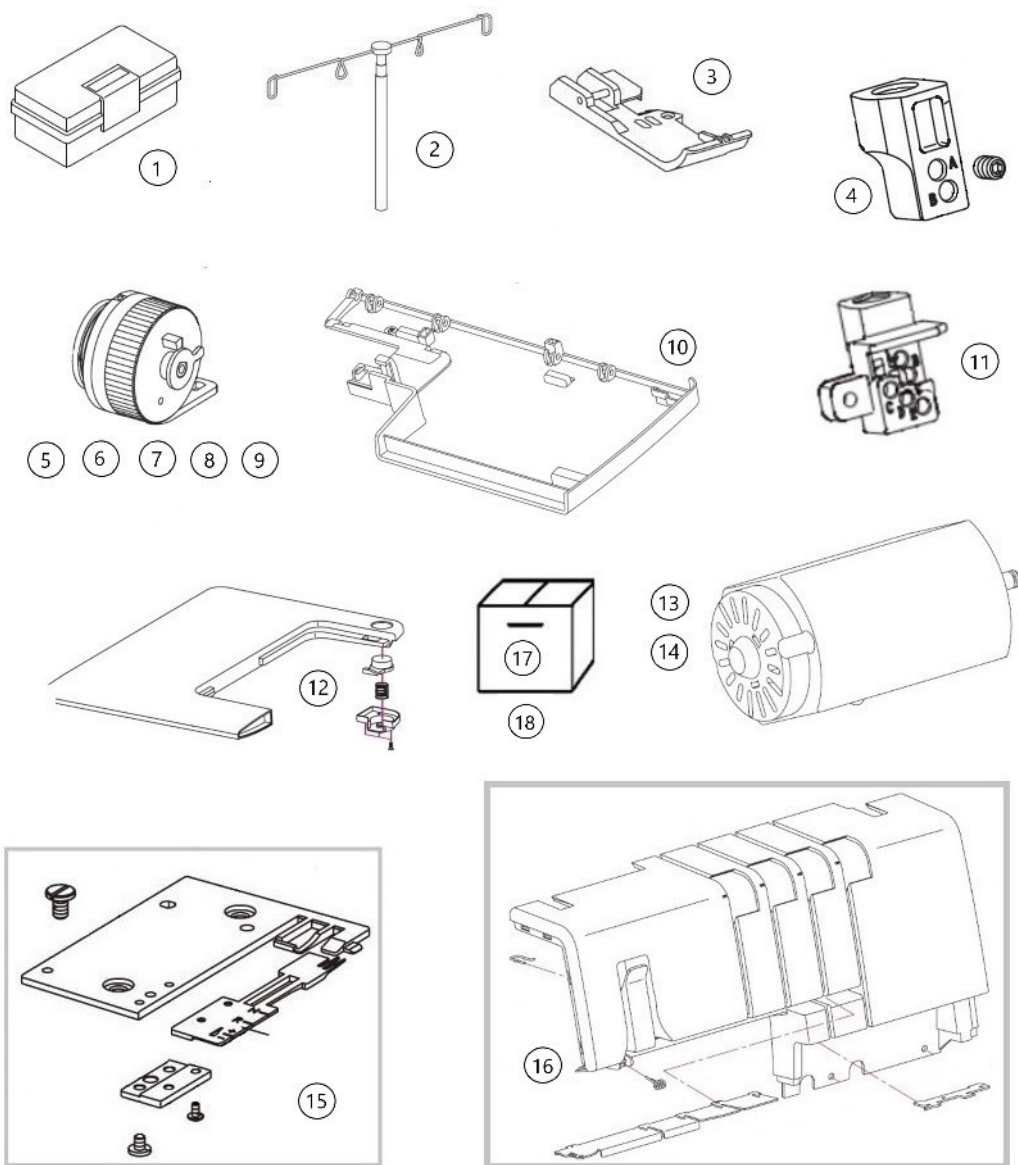
Pos	Item number	Description	Supplier Part no.
1	5020405546	2-thread converter	L1055
2	5020405535	Cleaning brush	A1I01-01
3	5020405424	Needle threader	H10422-02
4	5020405425	Allen screw driver	H1089
5	5020405911	Tweezers	L2010A
6	5020405165	Spool holder	A1V01-0505
7	5020405537	Chip box	L1263-0505
8	5020405547	Screw driver	L2011
9	5020405158	Oiler	A1E011000
10	5020405912	Looper threading tool	L1290
11	5020405164	Net	A1L011000
12	5020405913	Upper knife with bag	L1223A
13	5020405157	Thread unwinding spool cap	A1C01-0505
14	5020406082	Thread spring	
15	5020405344	Accessory box	G2071
16	5020405915	Knee lift	L2006-0505
17	5020405916	Extension table	L1255-0505
18	5020405917	Extension table button	L1256-0505
19	5020405918	Spring	L2009
20	5020405919	Extension table button cover	L1257-0505
21	5020405920	Set screw	ZM03L08I54
NR1	5020406083	Accessory bag set	
NR2	5020405922	Extension table set	L1255-0505A



Pos	Item number	Description	Supplier Part no.
1	5020405157	Thread unwinding spool cap	A1C01-0505
2	5020405539	Upper cutter	L1223
3	5020405540	Lower knife	L1169
4	5020405165	Spool holder	A1V01-0505
5	5020405418	Timing belt	H1011
6	5020405541	Upper looper	L1053
7	5020405542	Lower looper	L1042
8	5020406003	Cover looper	
9	5020405546	2-thread converter	L1055
10	5020405547	Screw driver	L2011
11	5020405554	Stitch length dial	L1259P001
12	5020405561	Differential feed dial	L1260P001
13	5020405558	Hand wheel	L1258-8005A
14	5020405152	Timing belt pulley	A11411000
15	5020405559	Feed dog (front)	L1159
16	5020405564	Moving lever	L1154
17	5020405571	Presser bar lifter	J1024-8005
18	5020405551	LED PC board set	L11352
19	5020405158	Oiler	A1E011000
20	1046017000	BERNINA ELx705 CF ASS needle set	
21	5020405544	Cleaning Brush	A1101-01
22	5020405425	Allen screw driver	H1089
23	0315645200	Tweezers	
24	5020405424	Needle threader	H10422-02
25	5020405164	Net	A1L011000

b68

b68_recommended_spare_parts_2



Pos	Item number	Description	Supplier Part no.
1	5020406083	Accessory bag set	
2	5020405407	THREAD GUIDES AND HOLDER	G80592
3	5020405577	Standard presser foot packed	LB12262B
4	5020405191	NEEDLE CLAMP	E10102
5	5020405567	Tension dial set (Left needle) set	B1004P028A
6	5020405568	Tension dial set (Right needle) set	B1004P028B
7	5020405569	Tension dial set (Upper looper) set	B1004P028C
8	5020405570	Tension dial set (Lower looper) set	B1004P028D
9	5020405942	Tension dial set (Cover stitch) set	
10	5020405556	Looper cover	L1242P001
11	5020405983	Needle clamp	
12	5020405557	Extension table set	L1238-0505A
13	5020405922	Extension table set	L1255-0505A
14	5020406080	Motor (120v/105w)	
15	5020406081	Motor (230v/105w)	
16	5020406053	Stitch plate set	
17	5020406034	Front cover	
18	5020405932	Carton box b68	6270L001
	5020406033	Styrofoam b60-series	L2004